

Auxiliary Pushing Attachment

USERS MANUAL





CHIEF'S LIMITED ONE-YEAR WARRANTY & LIABILITY

Chief Automotive Technologies, Inc. warrants for one year from date of installation and/or purchase any of its products which do not perform satisfactorily due to defect caused by faulty material or workmanship. Chief's obligation under this warranty is limited to the repair or replacement of products which are defective and which have not been misused, carelessly handled, or defaced by repair or repairs made or attempted by others.

CHIEF AUTOMOTIVE TECHNOLOGIES, INC. DOES NOT ASSUME RESPONSIBILITY FOR ANY DEATH, INJURY OR PROPERTY DAMAGE RESULTING FROM THE OPERATOR'S NEGLIGENCE OR MISUSE OF THIS PRODUCT OR ITS ATTACHMENTS. CHIEF MAKES NO WRITTEN, EXPRESS OR IMPLIED WARRANTY WHATSOEVER OF MERCHANTABILITY OR FITNESS FOR A PARTICULAR PURPOSE OR OTHERWISE REGARDING THE EQUIPMENT OR ANY PART OF THE PRODUCT OTHER THAN THE LIMITED ONE-YEAR WARRANTY STATED ABOVE.

The auxiliary pushing attachment fits securely to Chief towers providing a convenient base for an auxiliary ram and its related accessories. Such assemblies are used to either exert a push or serve as a hold in repair situations. The auxiliary pushing attachment might also be used in conjunction with a pull (from the same tower) to straighten a rail that is rolled inward or outward at the top.

The auxiliary pushing attachment is available in two sizes: 6 5/8 inch diameter (Part No. 612058) to accommodate Truck Liner, S 21 and 10-ton G-Series towers; and, 5 9/16 inch diameter (Part No. 648900) to accommodate EZ Liner II/Classic, EZ 25 Series, 5-ton G-Series and Posi-Trak towers.

Pushing / Holding Setup

1. Position tower so it is in line with the push to be made.
2. Secure tower to mainframe using a tower tie bolt. (See Figure 1.)
3. Secure pushing attachment to tower pipe. Make certain the attachment's pivot coupling is perpendicular with the rail to be pushed.

IMPORTANT: The lock on the auxiliary pushing attachment must hold the attachment secure. (See Figures 2 and 3.) If necessary, adjust tension on U-bolt until a firm locking pressure is achieved. (See Figure 4.)
4. Install the auxiliary ram and its attachments. (See Figure 5.)
 - a. Install desired length of extension tubing.
 - b. Install male adapter at base of ram and desired attachment (v-base, etc.) on piston end of ram.

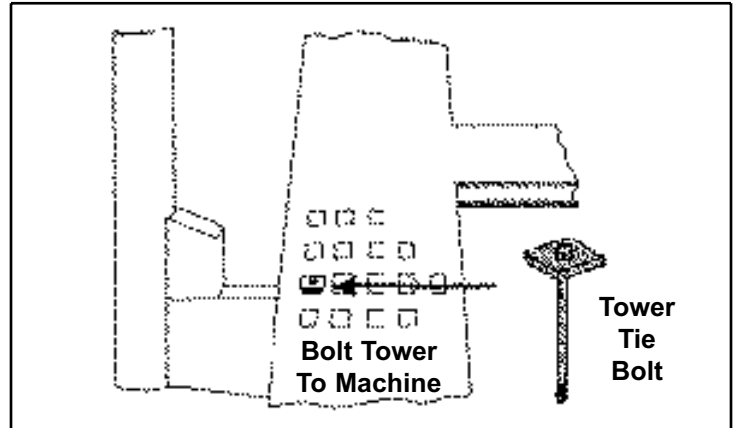


Figure 1

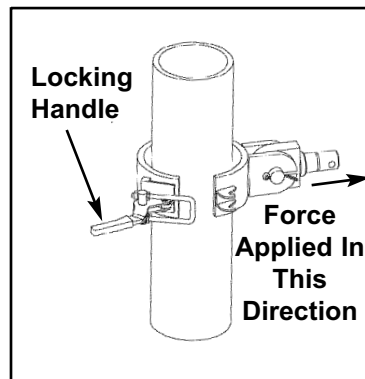


Figure 2

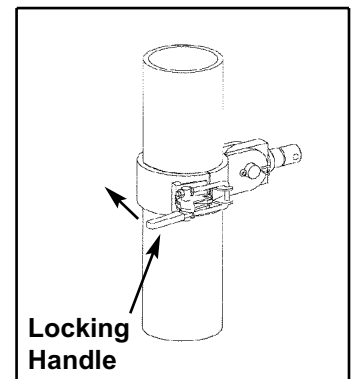


Figure 3

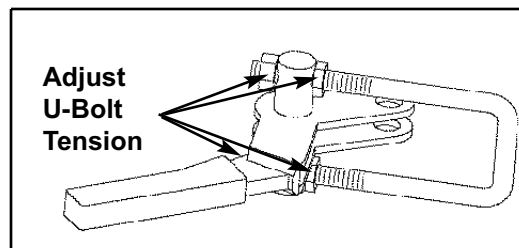


Figure 4

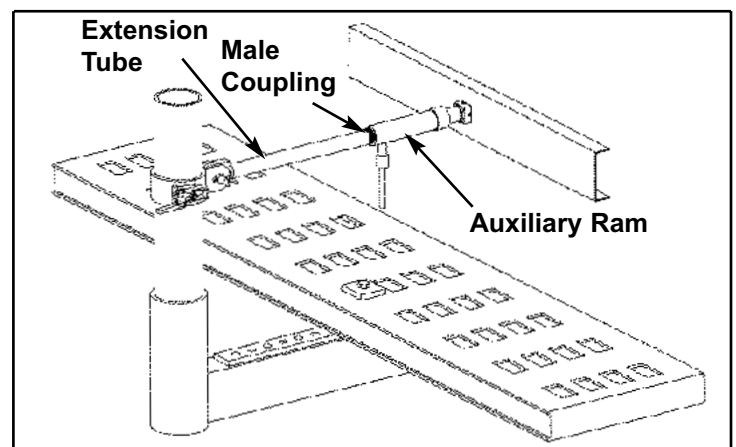


Figure 5

5. Open auxiliary line valve on ram being used and close all other valves. Press “up” button for pressure.

NOTE: If the setup is used as a hold, close auxiliary line valve after enough pressure has been applied to hold ram and its attachments in place.

Pulling And Pushing In Same Area

A pull and a push can be applied in the same area. (See Figure 6.)

▲ WARNING: To avoid severe personal injury DO NOT position yourself close to, or in line with, chains, clamps or other accessories (auxiliary pushing attachment, etc.) while pressure is applied to the system.

IMPORTANT: DO NOT apply pressure against tower if locking handle is not holding auxiliary pushing attachment in position.

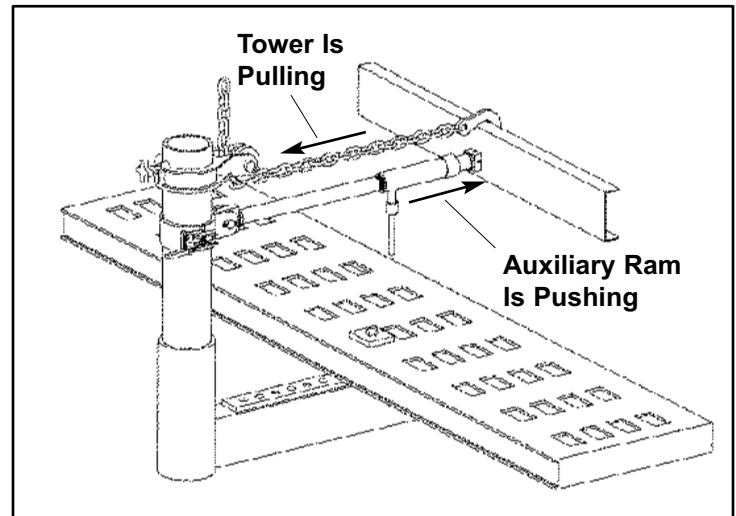


Figure 6



P.O. Box 1368
Grand Island, Nebraska 68802-1368
Phone: 308/384-9747
Fax: 308/384-8966

www.chiefautomotive.com

Chief reserves the right to alter product specifications and/or package components without notice.