

# BMW X3 Adapters Add-On Package

USERS MANUAL





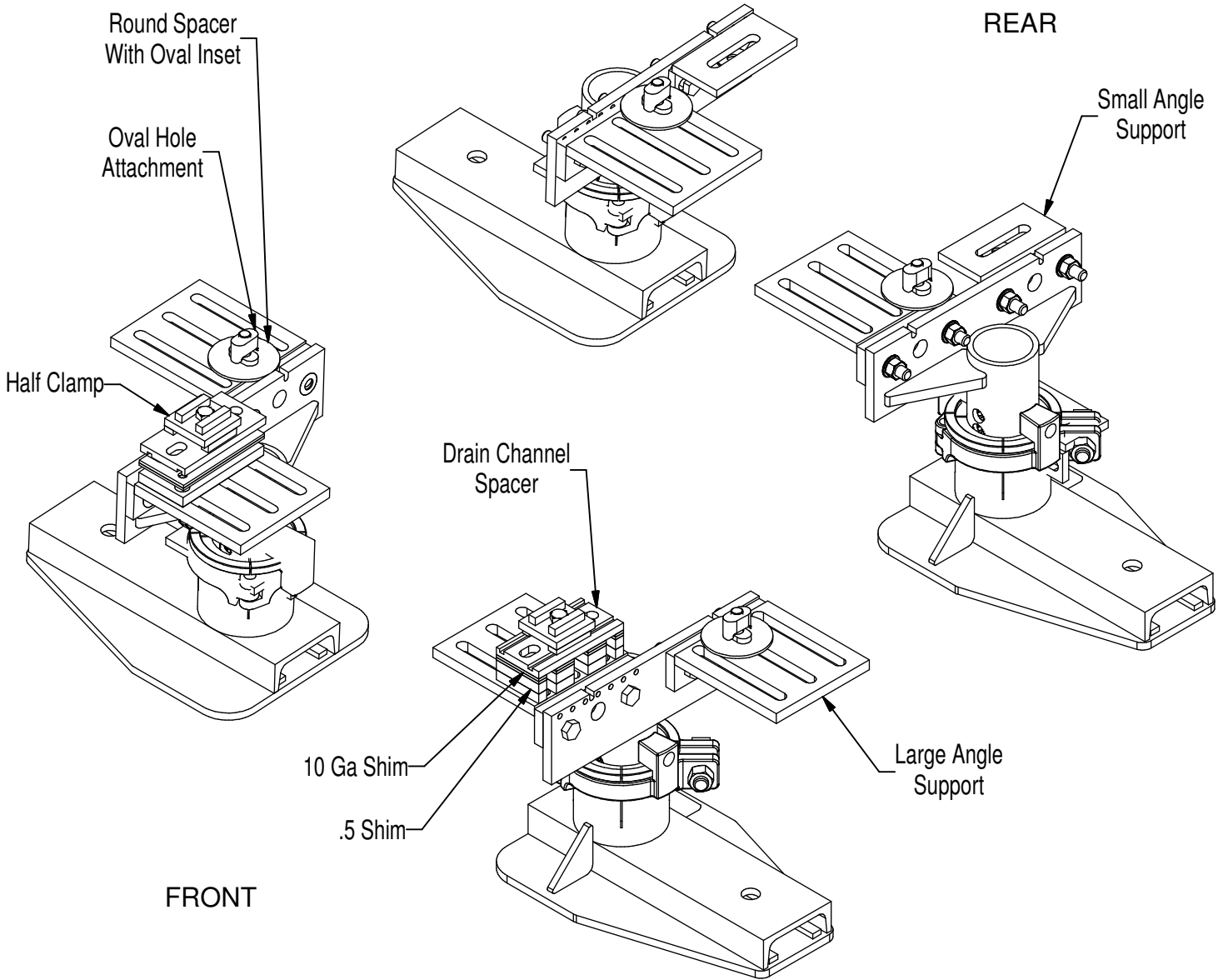
## Introduction

The BMW X3 Adapter Add-On Package is designed as an add-on package to the BMW Clamping Adapters Without Side Jack Lifting Holes, Part Number 519638. It is not a stand alone anchoring package. For additional details, see the users manual for the BMW Clamping Adapters Without Side Jack Lifting Holes.

### CHIEF'S LIMITED ONE-YEAR WARRANTY & LIABILITY

Chief Automotive Technologies warrants for one year from the date of installation and/or purchase any of its products which do not perform satisfactorily due to defect caused by faulty material or workmanship. Chief's obligation under this warranty is limited to the repair or replacement of products which are defective and which have not been misused, carelessly handled, or defaced by repairs made or attempted by others.

CHIEF AUTOMOTIVE TECHNOLOGIES DOES NOT ASSUME RESPONSIBILITY FOR ANY DEATH, INJURY OR PROPERTY DAMAGE RESULTING FROM THE OPERATOR'S NEGLIGENCE OR MISUSE OF THIS PRODUCT OR ITS ATTACHMENTS. CHIEF MAKES NO WRITTEN, EXPRESS OR IMPLIED WARRANTY WHATSOEVER OF MERCHANTABILITY OR FITNESS FOR A PARTICULAR PURPOSE OR OTHERWISE REGARDING THE EQUIPMENT OR ANY PART OF THE PRODUCT OTHER THAN THE LIMITED ONE-YEAR WARRANTY STATED ABOVE.



**BMW X3 Clamping Instructions** (Refer to illustrations on page 3).

1. Remove oval hole pulgs and plastic shields under vehicle's rocker panels. Also remove reinforcements from rear differential to rocker panels.

2. Remove clamp jaws from anchoring stand.

3. Attach a large angle support to rear of each front anchoring stand (see page 3).

**NOTE:** Attach supports to outside surface of anchoring stand's vertical plate as shown.

Attach a large angle support to front of each rear anchoring stand. Repeat process for front anchoring stand.

**Note:** Attach supports to inside surface of anchoring stand's vertical plate as shown.

4. Attach a small angle support to the rear of each rear anchoring stand (see page 3).

**NOTE:** Attach supports to inside surface of anchoring stand's vertical plate as shown.

5. Position oval hole attachment and spacer with oval hole inset on top of each large angle support mounted to front stands (see page 3). Then position oval hole inset on top of each large angle support mounted to rear stands (see page 3). Threaded portion of oval hole attachments must project downward through spacer and through middle slot on front stands and through rear slot on rear stands.

6. Use appropriate lifting device to elevate one side of the vehicle and position front anchoring stands so that the oval hole attachment is aligned with the oval hole in the bottom of the rocker panel.

**CAUTION:** Grip threaded portion of oval hole attachment when aligning attachment with oval hole in rocker panel. DO NOT place hands between the rocker panel and anchoring components.

7. Lower vehicle so that oval hole attachment engages oval hole in bottom of rocker panel. Then grip threaded end of oval hole attachment to push attachment upward. Rotate attachment 90 degrees

so that it straddles inside of oval hole in rocker panel and use 1/2 inch nut and washer to secure the anchoring stand to the rocker panel.

**NOTE:** To verify a secure hold, slightly raise vehicle. If stand also raises, it is secure. If it dosen't lower vehicle and repeat step 7.

8. Secure **half** clamp jaw to inside large angle support, using two thick shims, one thin shim and one drain channel spacer (see page 3). Engage it with the horizontal pinchweld flange in the process.

9. **Repeat Steps 6-8 on opposite side** of vehicle.

10. To install rear anchoring stand, elevate side of vehicle and position rear anchoring stands so that the oval hole attachment is aligned with the oval hole in the bottom of the rocker panel (see page 3).

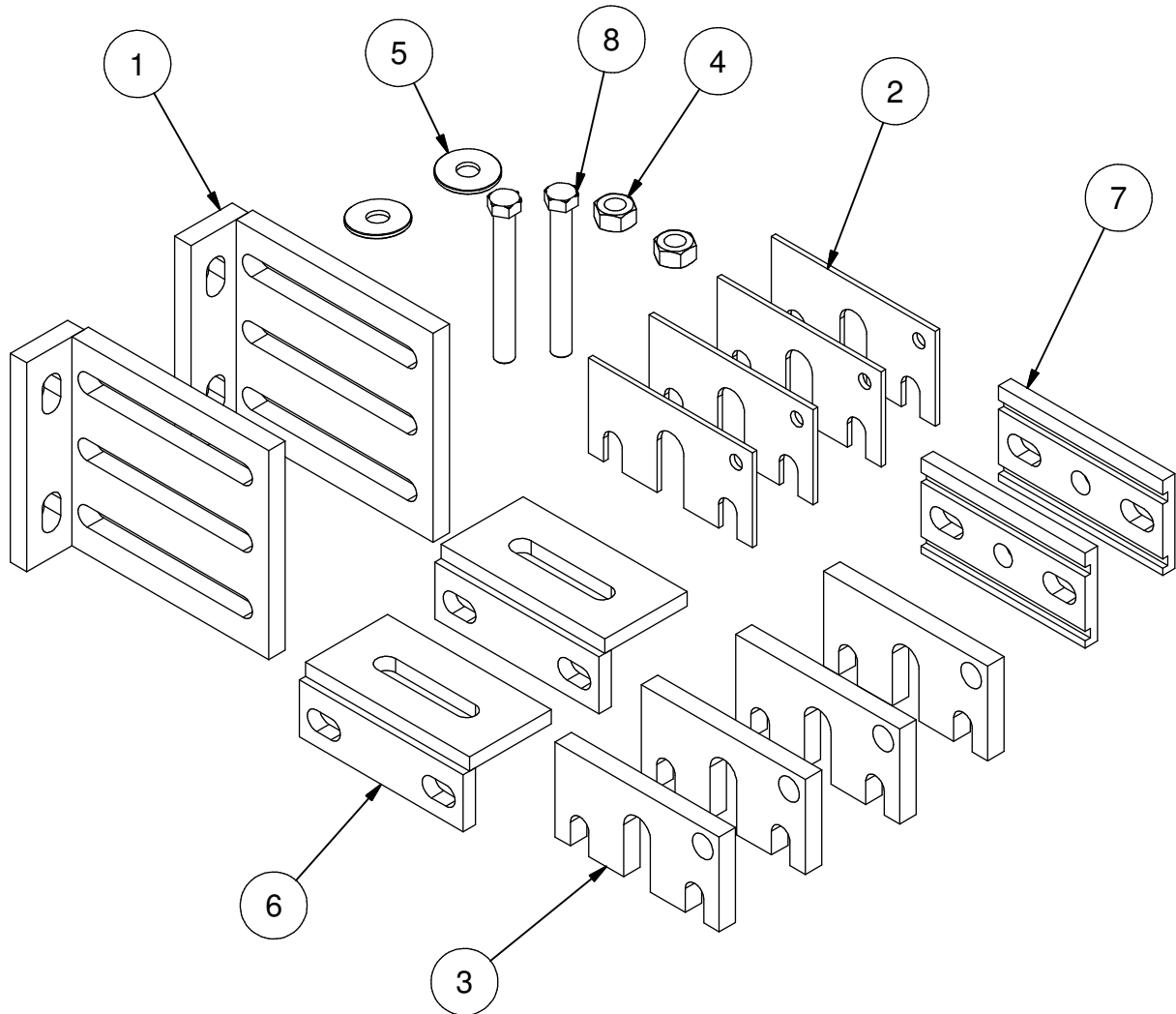
**CAUTION:** Grip threaded portion of oval hole attachment when aligning attachment with oval hole in rocker panel. DO NOT place hands between the rocker panel and anchoring components.

11. Lower vehicle so that oval hole attachment engages oval hole in bottom of rocker panel. Then use threaded end of oval hole attachment to push attachment upward. Rotate attachment 90 degrees so that it straddles inside of oval hole in rocker panel and use 1/2 inch nut and washer to secure the anchoring stand to the rocker panel.

**NOTE:** To verify a secure hold, slightly raise vehicle. If stand also raises, it is secure. If it dosen't lower vehicle and repeat step 11.

12. Secure small angle support to rocker panel using existing bolt from the reinforcement bar and a washer (see page 3).

13. **Repeat Steps 6-12 on opposite side** of vehicle.



Parts List		
ITEM	P/N	DESCRIPTION
1	519632	SUPPORT, MAIN, SLOTTED
2	519314	SHIM, 10 GAGE (.135) HONDA 2004
3	519315	SHIM, .500, HONDA 2004
4	539024	Nut, M12 x 1.75 Hex
5	539025	WASHER, FLAT, M12 X 1.75
6	519651	CLAMP SUPPORT FOR BMW X3
7	514670	Drain Channel Spacer
8	013314	Bolt, M12 x 2.5 x 100mm Hex





P.O. Box 1368  
Grand Island, Nebraska 68802-1368  
Phone: 308/384-9747  
Fax: 308/384-8966

[www.chiefautomotive.com](http://www.chiefautomotive.com)

Chief reserves the right to alter product specifications  
and/or package components without notice.