

BMW X3

Clamping Adapters

USERS MANUAL





CHIEF'S LIMITED ONE-YEAR WARRANTY & LIABILITY

Chief Automotive Technologies, Inc. warrants for one year from date of installation and/or purchase any of its products which do not perform satisfactorily due to defect caused by faulty material or workmanship. Chief's obligation under this warranty is limited to the repair or replacement of products which are defective and which have not been misused, carelessly handled, or defaced by repair or repairs made or attempted by others.

CHIEF AUTOMOTIVE TECHNOLOGIES, INC. DOES NOT ASSUME RESPONSIBILITY FOR ANY DEATH, INJURY OR PROPERTY DAMAGE RESULTING FROM THE OPERATOR'S NEGLIGENCE OR MISUSE OF THIS PRODUCT OR ITS ATTACHMENTS. CHIEF MAKES NO WRITTEN, EXPRESS OR IMPLIED WARRANTY WHATSOEVER OF MERCHANTABILITY OR FITNESS FOR A PARTICULAR PURPOSE OR OTHERWISE REGARDING THE EQUIPMENT OR ANY PART OF THE PRODUCT OTHER THAN THE LIMITED ONE-YEAR WARRANTY STATED ABOVE.

BMW X3 Clamping Instructions

1. Remove oval hole plugs and plastic shields under vehicle's rocker panels. Also remove reinforcements from rear differential to rocker panels.

2. Remove clamp jaws from anchoring stand.

3. Attach a large angle support to the rear of each Front anchoring stand.

NOTE: Attach supports to outside surface of anchoring stand's vertical plate as shown. (See Figure 1.)

4. Attach a large angle support to the front of each Rear anchoring stand. Repeat process for Front anchoring stand.

NOTE: Attach supports to inside surface of anchoring stand's vertical plate as shown. (See Figure 2.)

5. Attach a small angle support to the rear of each Rear anchoring stand.

NOTE: Attach supports to inside surface of anchoring stand's vertical plate as shown. (See Figure 3.)

6. Position oval hole attachment and spacer with oval hole insert on top of each large angle support mounted to Front stands. (See Figure 4.) Then position oval hole attachment, spacer with oval hole insert, on large angle supports mounted to Rear stands. Threaded portion of oval hole attachments must project downward through spacer and through middle slot on Front stands and through rear slot on Rear stands. (See Figures 1 and 2.)

7. Use appropriate lifting device to elevate one side of vehicle and position Front anchoring stands so that the oval hole attachment is aligned with



the oval hole in the bottom of the rocker panel.

CAUTION: Grip threaded portion of oval hole attachment when aligning attachment with oval hole in rocker panel. DO NOT place hands between the rocker panel and anchoring components.



Figure 1

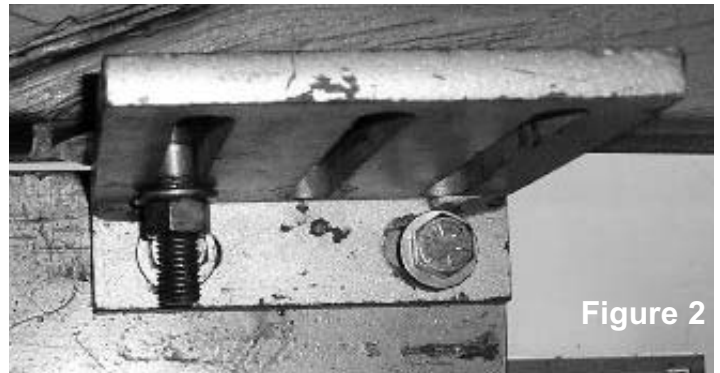


Figure 2



Figure 3



Figure 4

BMW X3 Clamping Instructions

- Lower vehicle so that oval hole attachment engages oval hole in bottom of rocker panel. Then grip threaded end of oval hole attachment to push attachment upward. Rotate attachment 90 degrees so that it straddles inside of oval hole in rocker panel and use 1/2 inch nut and washer to secure the anchoring stand to the rocker panel.

NOTE: To verify a secure hold, slightly raise vehicle. If stand also raises, it is secure. If it doesn't, lower vehicle and repeat Step 7.

- Secure half clamp jaw to inside large angle support using two thick shims one thin shim and one drain channel spacer. (See Figure 5.) engaging it with horizontal pinchweld flange in the process.

- Repeat Steps 6-8 on opposite side of vehicle.

- To install Rear anchoring stand, elevate side of vehicle and position Rear anchoring stands so that the oval hole attachment is aligned with the oval hole in the bottom of the rocker panel.

⚠ CAUTION: Grip threaded portion of oval hole attachment when aligning attachment with oval hole in rocker panel. DO NOT place hands between the rocker panel and anchoring components.

- Lower vehicle so that oval hole attachment engages oval hole in bottom of rocker panel. Then use threaded end of oval hole attachment to push attachment upward. Rotate attachment 90 degrees so that it straddles inside of hole in rocker panel and use 1/2 inch nut and washer to secure anchoring stand to rocker panel.

NOTE: To verify a secure hold, slightly raise vehicle. If stand also raises, it is secure. If it doesn't, lower vehicle and repeat Step 11.

- Secure small angle support to rocker panel using existing bolt from the reinforcement bar and a washer. (See Figure 6.)

- Repeat Steps 6-12 on opposite side of vehicle.

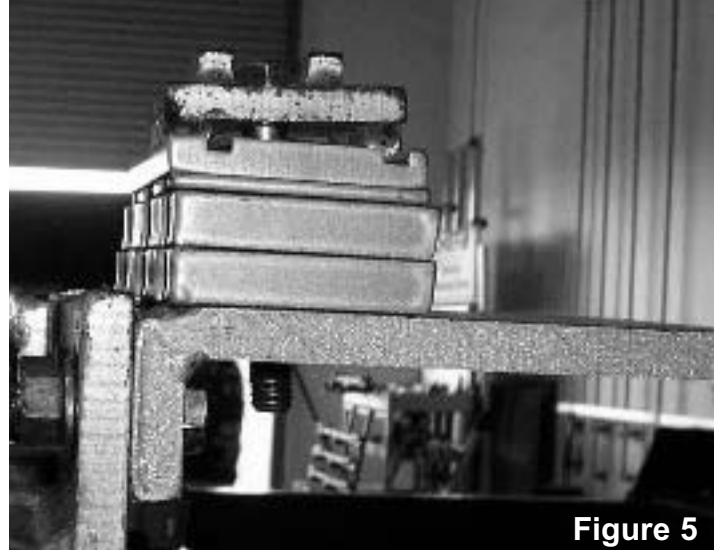


Figure 5

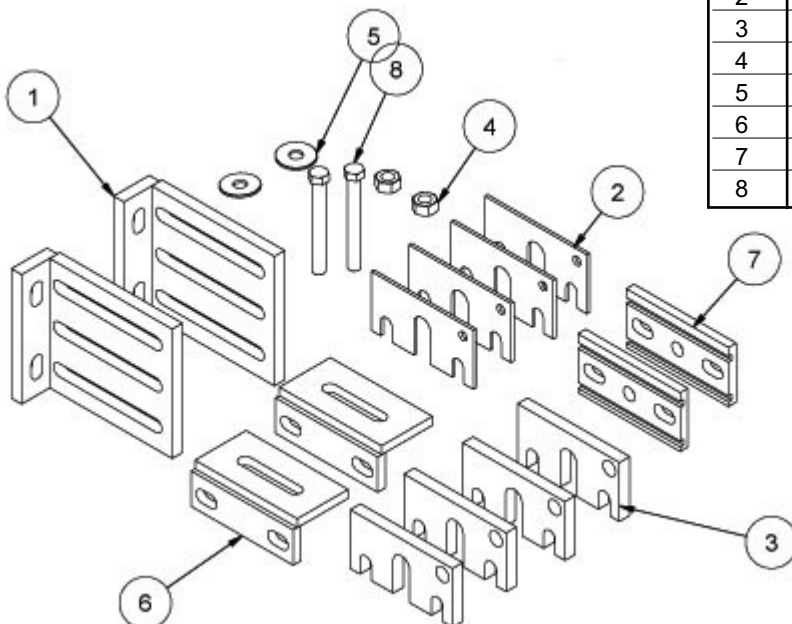
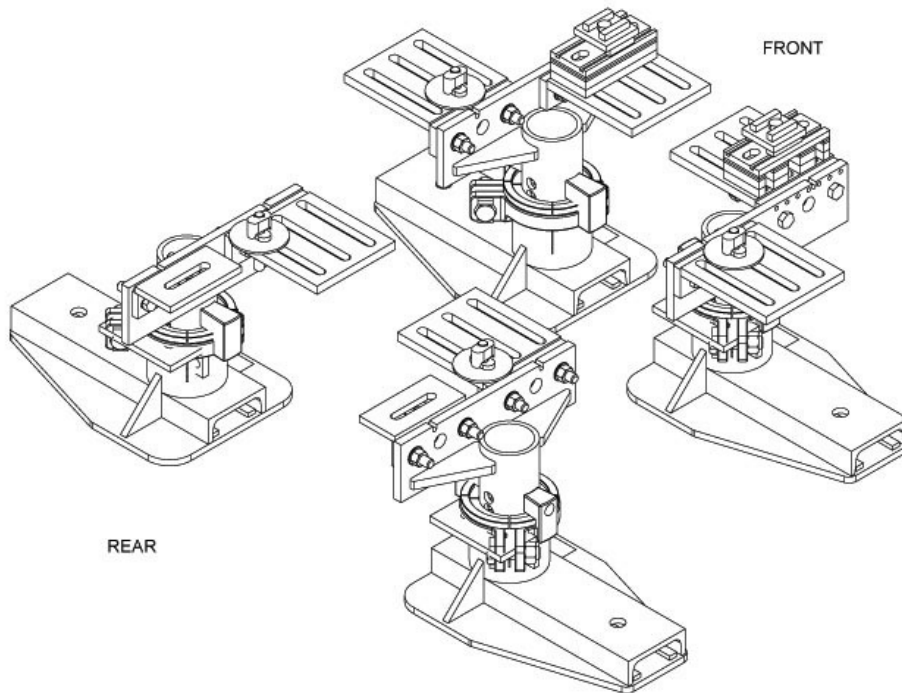


Figure 6

Parts Ordering Information

To order replacement parts for BMW Clamping Adapters, call Chief Automotive Technologies, Inc. 308-384-9747. If located outside the United States, contact an authorized Chief Automotive Technologies, Inc. representative.

When contacting Chief Automotive Technologies, Inc. by telephone or mail, provide the following: name, name of shop, shop telephone number, shop address, description of part and part number. Refer to parts illustration and parts list below.



ITEM	QTY.	PART NO.	DESCRIPTION
1	2	519632	Large Angle Support
2	4	519314	Shim, 10 Gage .135 Honda 2004
3	4	519315	Shim, .500, Honda 2004
4	2	539024	Nut, M12 x 1.75 Hex
5	2	539025	Washer, Flat, M12
6	2	519651	Clamp Support For BMW X3
7	2	514670	Drain Channel Spacer
8	2	013314	Bolt, M12 x 1.75 x 100mm Hex



P.O. Box 1368
Grand Island, Nebraska 68802-1368
Phone: 308/384-9747
Fax: 308/384-8966

www.chiefautomotive.com

**Chief reserves the right to alter product specifications
and/or package components without notice.**