

Chief EZLiner 25 Series

Models Included:

- EZ Liner 25 Basic
- EZ Liner 25 Classic
- EZ Liner 25 Extra
- EZ Liner 25 Extra (Wide Deck)

PARTS MANUAL



CHIEF'S LIMITED ONE-YEAR WARRANTY & LIABILITY

Chief Automotive Systems, Inc. warrants for one year from date of installation and/or purchase any of its products which do not perform satisfactorily due to defect caused by faulty material or workmanship. Chief's obligation under this warranty is limited to the repair or replacement of products which are defective and which have not been misused, carelessly handled, or defaced by repair or repairs made or attempted by others.

CHIEF AUTOMOTIVE SYSTEMS, INC. DOES NOT ASSUME RESPONSIBILITY FOR ANY DEATH, INJURY OR PROPERTY DAMAGE RESULTING FROM THE OPERATOR'S NEGLIGENCE OR MISUSE OF THIS PRODUCT OR ITS ATTACHMENTS. CHIEF MAKES NO WRITTEN, EXPRESS OR IMPLIED WARRANTY WHATSOEVER OF MERCHANTABILITY OR FITNESS FOR A PARTICULAR PURPOSE OR OTHERWISE REGARDING THE EQUIPMENT OR ANY PART OF THE PRODUCT OTHER THAN THE LIMITED ONE-YEAR WARRANTY STATED ABOVE.

Returned merchandise requires a "RETURNED GOODS AUTHORIZATION NUMBER" on the package. Authorization numbers can be obtained by calling or writing the Customer Service Department, Chief Automotive Systems, Inc. No returned merchandise will be accepted without an authorization number. All returned merchandise must be shipped freight prepaid (and may be subject to a 15 percent handling and restocking charge) to:

Chief Automotive Systems, Inc.
Attn: Returned Goods Dept.
1924 E. Fourth St.
P.O. Box 1368
Grand Island, Ne. 68802
308-384-9747

Your Authorized
or Chief Automotive Systems, Inc.
Representative

Parts Information

To order replacement parts for a Chief EZ Liner 25 machine contact Chief Automotive Systems, Inc. 800-445-9262. (If outside the United States, contact nearest Chief Automotive Systems, Inc. representative.)

The numbers and drawings in this manual represent those parts that an owner might install. For part numbers not listed, contact Chief Automotive Systems, Inc.

When contacting Chief Automotive Systems, Inc. by telephone or mail, provide the following information: name, name of shop, shop telephone number, and shop address. Additional information needed when ordering: description of part(s) and part number(s).

NOTE: Chief reserves the right to alter product specifications and/or package components without notice.



CAUTION: Always use Chief authorized parts (or equivalent) with the EZ Liner 25 system. If replacing electrical and hydraulic components, bolts/fasteners and/or chain, make certain the parts meet the following standards (minimum requirements).

Electrical Components

All electrical components must be replaced with Chief authorized parts or their equivalent and be UL approved.

The three-wire power cord and the four-wire remote control switch cord must be 12 gauge minimum in lengths equal to factory installed cords.

Hydraulic Hoses

All hydraulic components must be replaced with Chief authorized parts or their equivalent.

The two-wire braid 1/4 inch (6.3mm) inner diameter hydraulic hoses must have a minimum burst pressure of 20,000 psi (1400 bar) and a minimum working pressure of 5,000 psi (350 bar) (as per SAE Standard 100 R2A). They must be in lengths equal to factory installed hoses.

Bolts/Fasteners

All bolts and fasteners must be replaced with Chief authorized parts or their equivalent and must not be less than Grade 5 (Class 8.8).

Any bolt used in a pulling clamp that is frequently tightened must be a Grade 8 (Class 10.9).

All bolt lengths and diameters must be equal to those installed at the factory.

Chain

All EZ Liner 25 tower and accessory chains must be replaced with Chief authorized chain or an equivalent.

Both tower and accessory chain must be NACM Grade 80 3/8 inch (10mm) alloy chain, proof tested to 20,000 pounds (90kN) and have a workload of 10,000 pounds (45kN). It must be in a length and size equal to factory installed chain.

Labels

CAUTION, WARNING and OTHER Labels - Replacement labels are available and some labels are also available in some foreign languages. To order, contact Chief Automotive Systems, Inc. 800-445-9262.

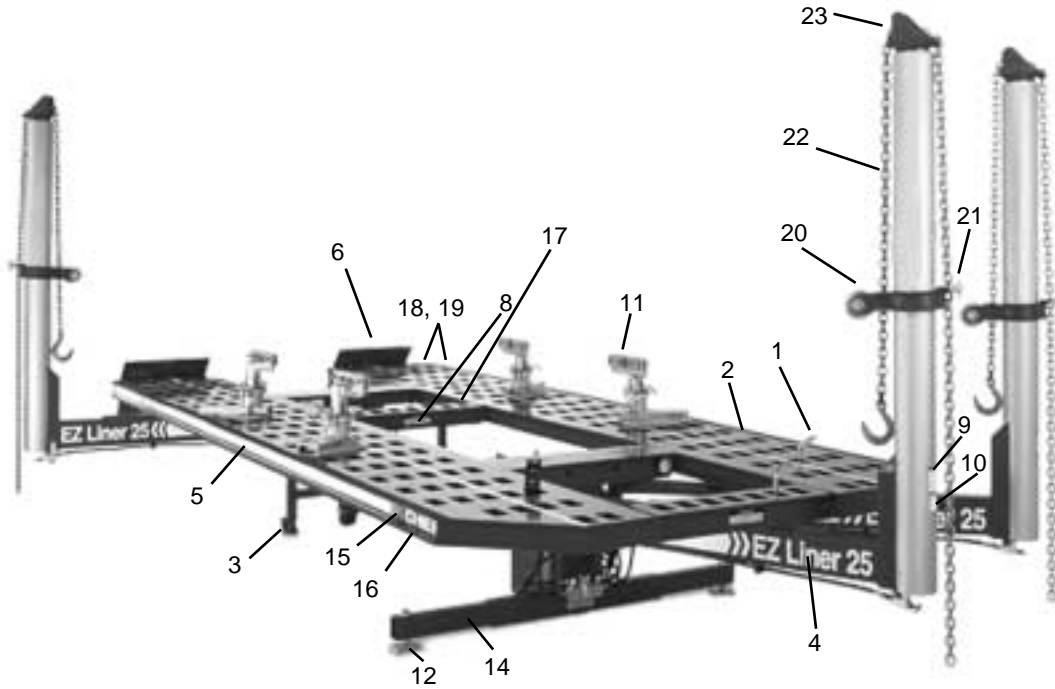
EZ 25 / EZ Classic 25 / EZ Extra 25 / EZ Extra 25 (Wide Deck)

Refer To Illustrations On Page 3

REF.	PART NO.	DESCRIPTION
1	658857	Tower Lock Pin, 1 inch
	658859	Tower Lock Pin, 3/4 inch
*	697015	Inset Lock Pin (Dowel Pin)
2	620875	Anti-Skid Tape
3	690240	Adjustable Bolt/Plate Ass'y, EZ 25/EZ Classic 25
4	697706	Tower Decal, EZ 25
5	697022	Tape, 2" Wide, White
6	697523	Loading Ramp, EZ 25
6	698767	Loading Ramp, EZ Classic 25
7	649203	Loading Ramp, EZ Extra 25
7	650270	Loading Ramp, EZ Extra 25 (Wide Deck)
8	692094	Crossmember Decal, CAUTION
9	693337	Tower Decal, WARNING
10	682789	Tower Decal, CAUTION
11	702075	Universal Anchoring Stand (1)
*	702076	Universal Anchoring Stand (Set of 4)
12	697089	Stiff Leg Adjustment Screw Assembly, EZ 25/EZ Classic 25
13	605018	Switch Assembly
14	697082	Front Leg Extension, EZ 25/EZ Classic 25
15	697700	Decal, Arrows, Side Channel
16	697707	Decal, Chief, Side Channel
17	690646	Moveable Crossmember Assembly
18	693433	Anti-Skid Tape, 6 x 22
19	693425	Anti-Skid Tape, 9 x 22
20	690793	Collar Assembly
21	602829	Collar Locking Knob
22	685206	Chain, 3/8" x 12' With/Hook
23	690611	Tower Head
24	649399	Leveling Screw, 3/4-10, EZ Extra 25
25	629896	Nut, Jam, 3/4-10, EZ Extra 25
26	649081	Pressure Gauge
27	681336	Crossmember Lock
*	697039	Owners Manual, EZ 25
28	649254	Pump Cabinet Assembly, EZ Extra 25
28	650344	220v Pump Cabinet Assembly, EZ Extra 25 Machines
28	650345	115v Pump Cabinet Assembly, EZ Extra 25 Machines
28	650346	220v CE Pump Cabinet Assembly, EZ Extra 25 Machines
*	698761	Tower Tie Bolt Assembly, 3/4 inch
*	697424	Tower Tie Bolt Assembly, 5/8 inch
*		(Not Shown In Illustrations)

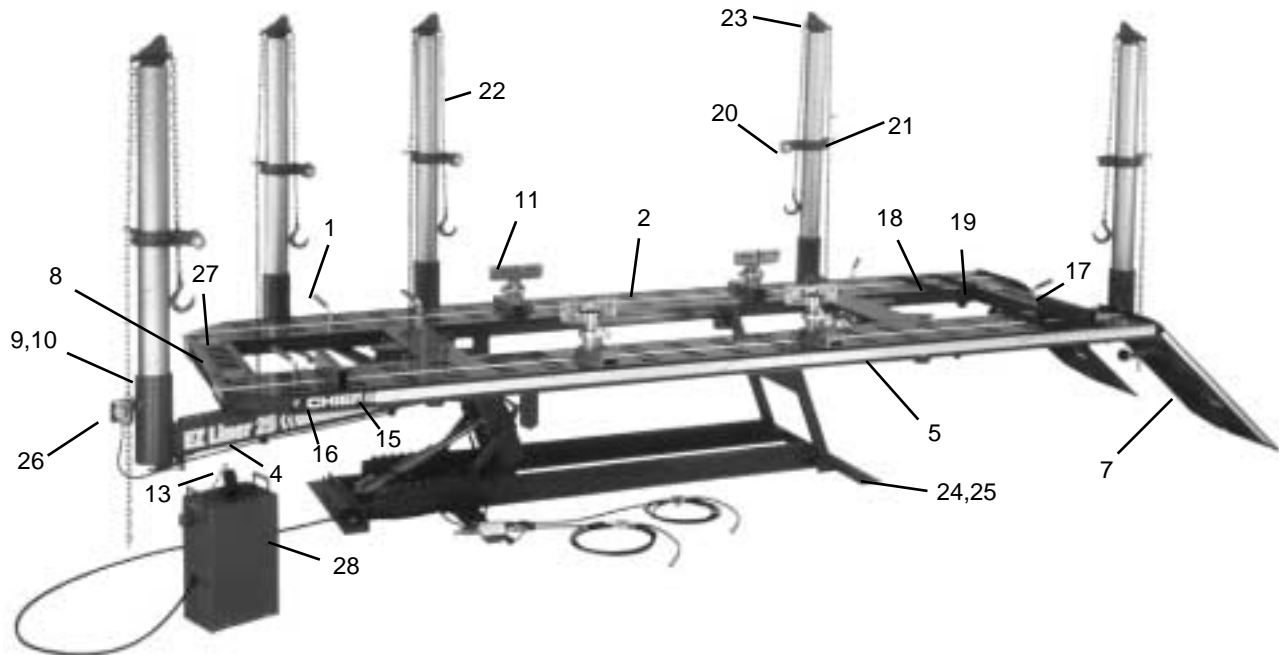
EZ 25 / EZ Classic 25

Refer To Parts List On Page 2



EZ Extra 25 / EZ Extra 25 (Wide Deck)

Refer to parts list on page 2



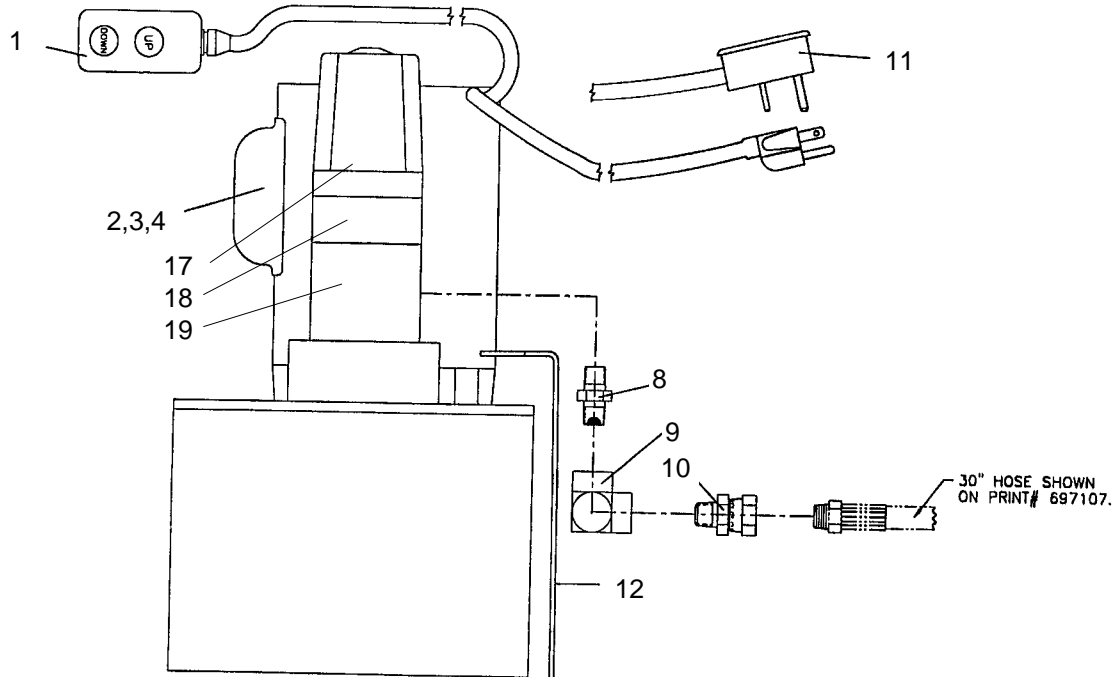
Hydraulic Pump Assembly Components

Refer To Illustrations On Page 5

REF.	PART NO.	QTY.	DESCRIPTION
1	611119	1	Cord and Switch Assembly, mini-line, EZ 25/EZ Classic 25, 115V/220V
			EZ 25 / EZ Classic 25 Pumps
2	693134	1	Pump, EZ II, Eurp, OTC, 61253-50-220
3	697650	1	Pump, EZ 25, 1/2 HP, 5000 PSI, 115V
4	693135	1	Pump, PP95-136, 1 HP, 4000 RPM, 220V
			EZ Extra 25 / EZ Extra 25 (Wide Deck) Pumps
5	605827	1	Pump Assembly, 220V, 50 Hz, 61660-50
6	605843	1	Pump Assembly, 115 V, 60Hz, OTC 61660-15
7	649302	1	Pump, EZ Extra 25, 220V, CE Approved
8	602550	1	Filter Nipple w/Orifice
9	090207	1	Elbow, 90 Degrees, 3/8 F x 3/8 F
10	602562	1	Swivel Coupler
11	694049	1	Plug, 220V, EZ 25/EZ Classic 25
12	697087	1	Pump Strap, 220 V, EZ 25/EZ Classic 25
*	704075	1	Screw, 1/4-20 x 3/4 HWH w/Slot
13	693020	3	Spade Terminal, 16-14 Wire, No. 6, 115V, EZ Extra 25 Machines
14	605018	1	Switch, Square "D"
15	692270	1	Strain Relief Connector
16	604939	1	Quick Coupler, Female End,
*	692158	1	Decal, Oil Reservoir
*	697108	1	Pump Cover, 220V, EZ 25/EZ Classic 25
*	649158	1	Pump Cover, 115V, EZ 25/EZ Classic 25
*	650333	1	Door, EZ Extra 25 Cabinet
*	650331	1	Pump Mount, EZ Extra 25 Cabinet
*	650335	1	Pump Cabinet Assembly
*	657862	2	Rubber Grommet, 1 inch I.D., EZ 25 / E Classic 25
*	650232	2	Rubber Grommet, 1 1/4 inch I.D., EZ Extra 25 Machines
*	657758	2	Cord Hanger, Cabinet, EZ Extra 25 Machines
*	704075	12	1/4-20 x 3/4 HWH Self-Tap Screw
17	605042	1	Solenoid
18	605878	1	Solenoid Linkage Base
19	605860	1	Valve Block, O.T.C.

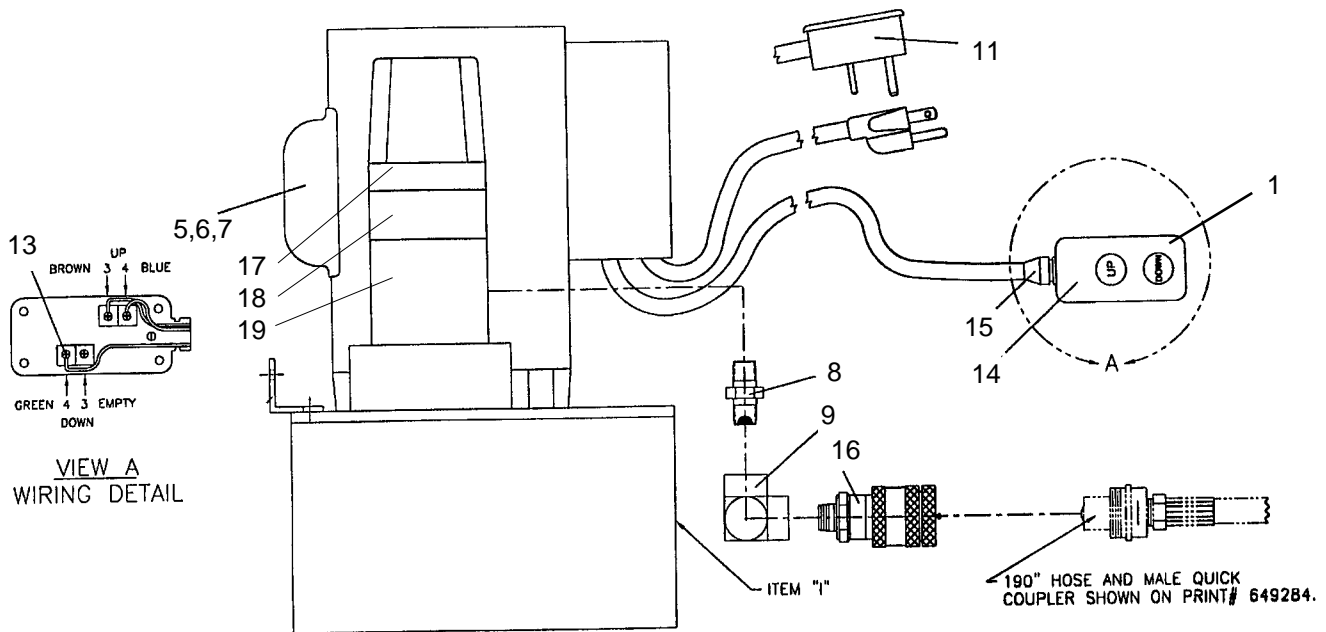
EZ 25 / EZ Classic 25 Hydraulic Pump

See Parts List Previous Page



EZ Extra / EZ Extra 25 (Wide Deck) Hydraulic Pump

See Parts List Previous Page



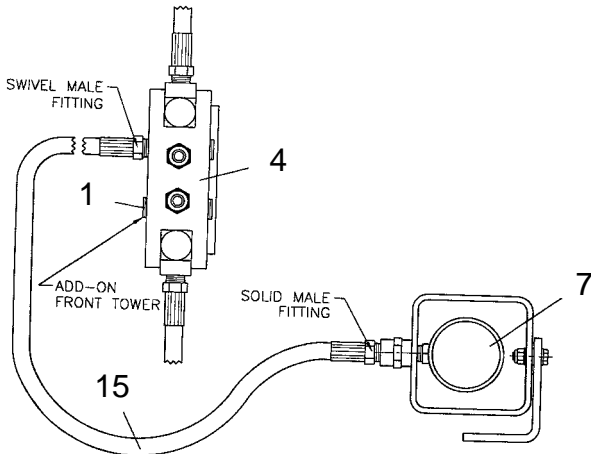
NOTES:

1. Apply item "1" to front of pump reservoir.
2. Use thread sealant tape on all connections.

Hydraulic Hose Connections (EZ 25 / EZ Classic 25)

NOTES:

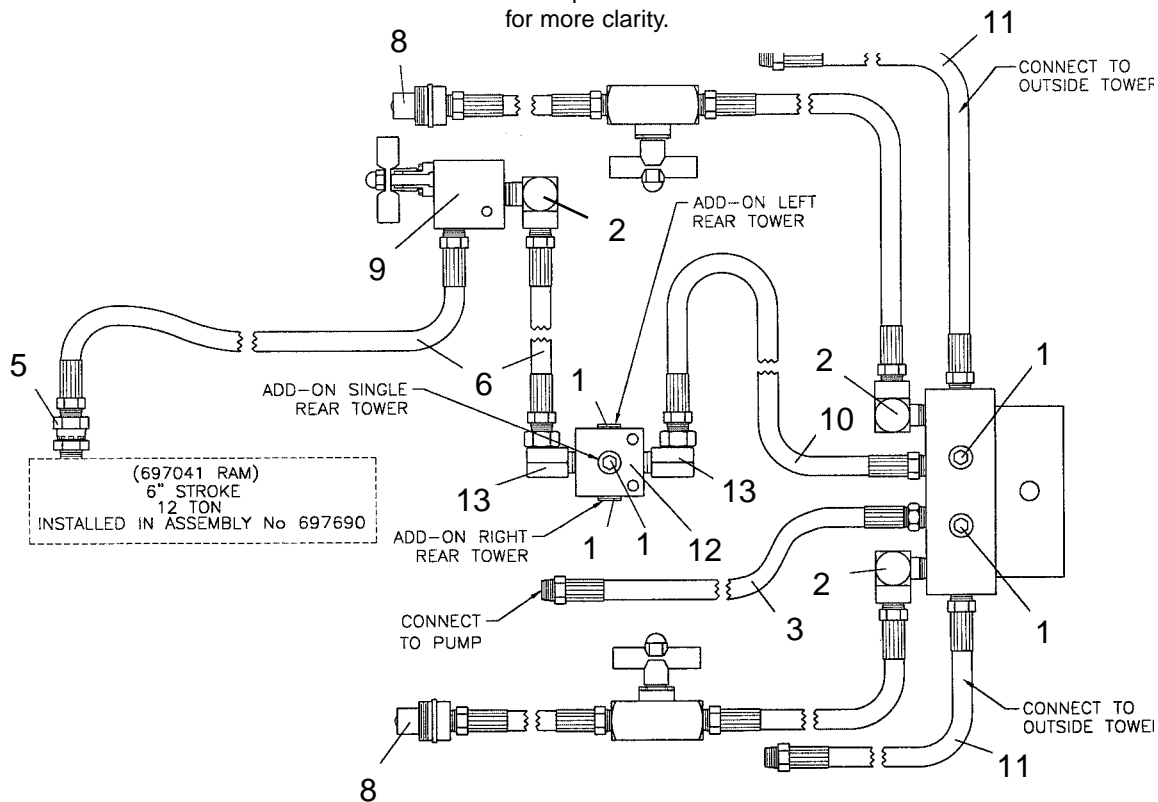
1. Use thread sealant on all threads.
2. Some parts are not shown on both views for more detail clarity.



REF.	PART NO.	QTY.	DESCRIPTION
1	693601	6	Hollow Hex Plug, 3/8 NPT
2	602546	3	Elbow, 90 Degrees, Female x Male NPT
3	657803	1	Hose, 30 x 3/8 NPT Couplings
4	697105	1	Hose Block - Angle Assembly
5	602564	1	Coupler, Swivel w/Orifice, S21
6	602511	2	Hose, 45 x 3/8 NPT Couplings
7	649080	1	Portable Gauge Assembly
8	610300	2	Auxiliary Line Assembly
9	602810	1	Valve Tower, 3/8 90 Degrees
10	657820	1	Hose, 148 x 3/8 NPT Couplings
11	609174	2	Hose, 76 x 3/8 NPT Couplings
12	657344	1	Hose Block, 5-H
13	693820	2	Fitting, 3/8 M x 3/8 Swivel F, NPT
14	649075	1	Hose, 120 x 3/8 NPT M x 3/8 Swivel M

NOTES:

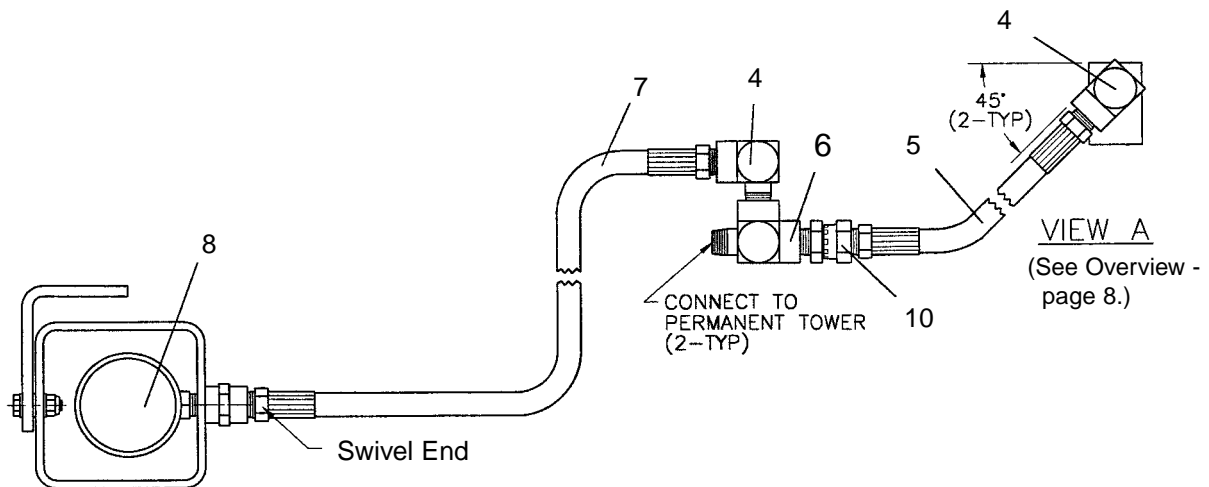
1. Use thread sealant on all threads.
2. Some parts are not shown on both views for more clarity.



Hydraulic Hose Connections (EZ Liner Extra 25)

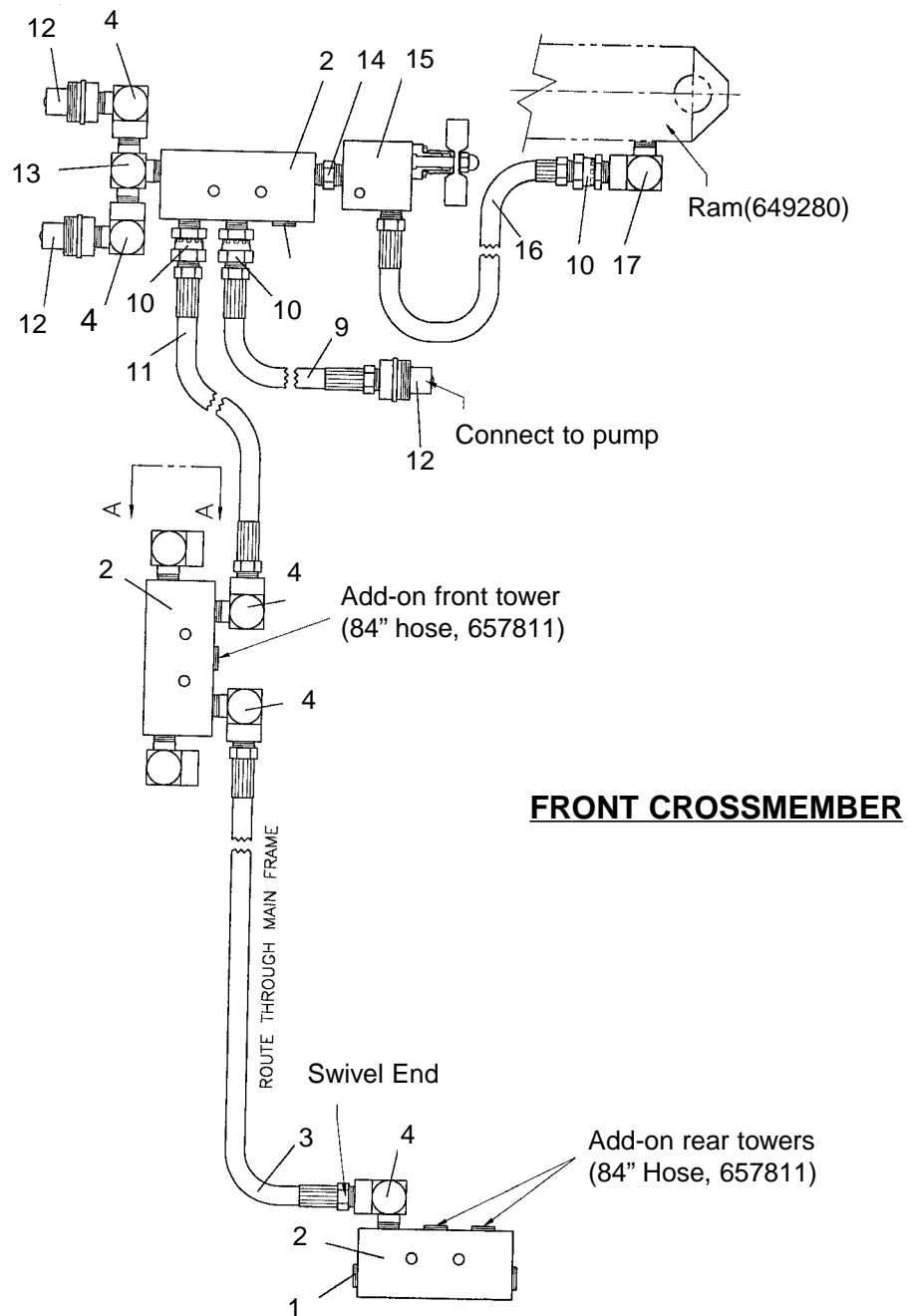
Refer Also To Illustration On Page 8

REF.	PART NO.	QTY.	DESCRIPTION
1	693601	5	Hollow Hex Plug, 3/8 NPT
2	649275	3	Hose Block, EZ 25 Extra
3	649075	1	Hose, 124 x 3/8 Male x 3/8 Swivel Male
4	602546	9	Elbow, 90 Degree, Female x Male NPT
5	649181	2	Hose, 80 x 3/8 NPT Couplings
6	649282	2	Street Tee, TMKNS No. 5602-6
7	649286	2	Hose, 18 1/2 x 3/8 Male x 3/8 Swivel Male
8	649080	2	Portable Gauge Assembly
9	682806	1	Hose, 190 x 3/8 NPT Couplings
10	602562	5	Swivel Coupler
11	609174	1	Hose, 76 x 3/8 NPT Couplings
12	602407	3	Quick Coupler, Male End
13	649224	1	Male Pipe Tee, TMKNS No. 5600-6
14	604576	1	Nipple, Connector, Male, 3/8
15	602810	1	Valve, Tower, 3/8, 90 Degree Elbow
16	685100	1	Hose, 49 x 3/8 NPT Couplings
17	649281	1	Elbow, 90 Degrees, Female x Male, With/Orifice
18	649074	1	Corrugated Loom, Black, 18 Inch Large



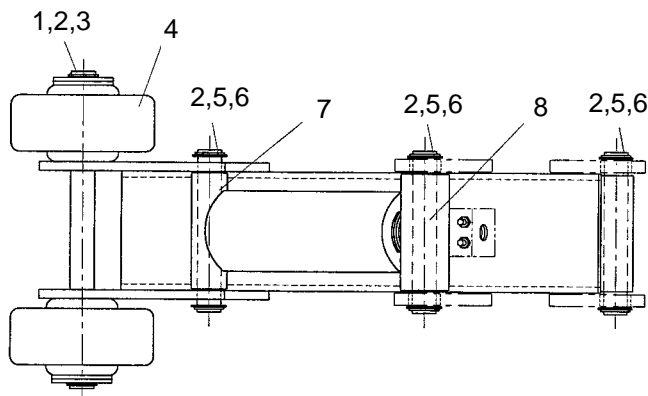
Hydraulic Hose Connections (EZ Liner Extra 25)

Refer To List of Components On Page 7

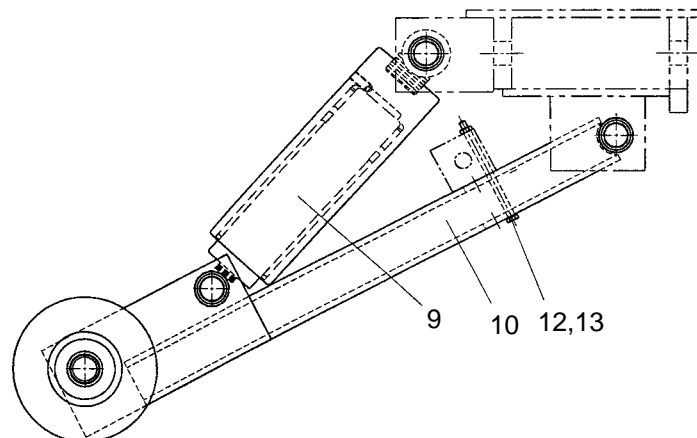


Rear Lift And Stop Assembly (EZ 25 / EZ Classic 25)

REF.	PART NO.	QTY.	DESCRIPTION
1	019010	4	Wrought Washer, 1" ZP
2	770105	8	Retaining Ring, 1" Bar
3	697031	1	Pin, Grooved, 1.00 x 13.30 LG., PL.
4	092094	2	Wheel, 6" Posi-Trak Lift
5	707479	6	Washer, 1" Thrust Plated
6	770139	3	Pin, Grooved, 1.00 x 6.813 LG.
7	697175	1	Lift Cylinder Pivot Assembly BTM.
8	697199	1	Jack T Assembly, EZ 25
9	697041	1	Ram 8 1/2 Ton, 6" Stroke
10	697050	1	Lift Leg Assembly, Welded
11	697695	1	Rear Stop Package
12	706303	2	Bolt, 1/4-20NC x 4 1/2
13	629423	2	Nut, 1/4-20NC, PI, Whiz Flange Lock



NOTE: Hydraulic routing to item No. 9 is shown on page 6.



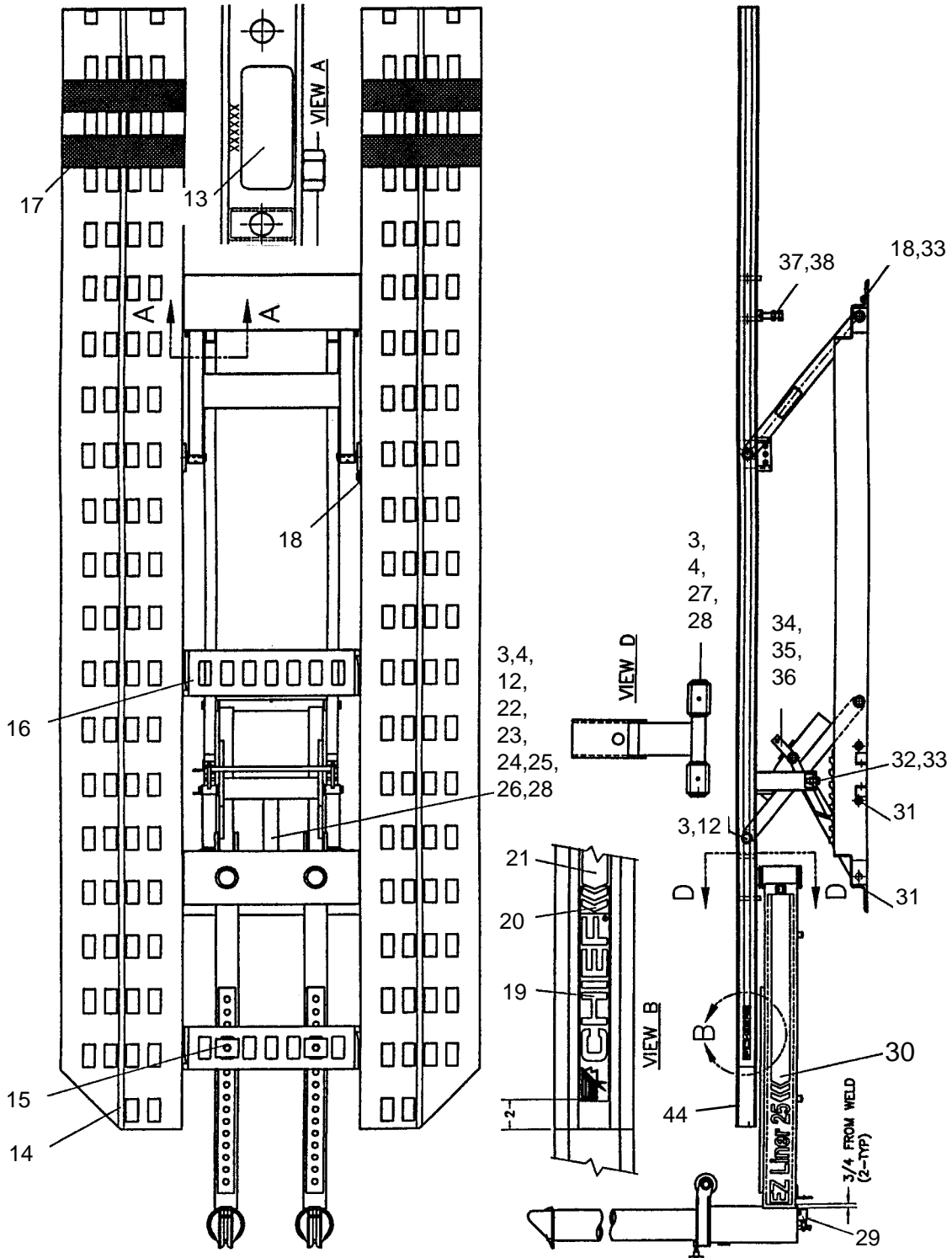
Lift Assembly - EZ Extra 25 / EZ Extra 25 (Wide Deck)

Refer To Illustrations On Pages 11 - 12

Ref.	PART NO.	QTY.	DESCRIPTION
1	649120	1	Porta-frame assembly, EZ Extra 25 Machines
2	649066	2	Pin, Grooved, 1-1/4 x 6 9/16 Long
3	649099	20	Nyliner Bearing, 1 1/4
4	707487	22	Washer, 1 1/4, Flat, Plated
5	692959	4	Bolt, Hex, 3/4 - 10 NC x 1 1/2 Long
6	601738	4	Washer, 3/4 x 1 1/2
7	649103	2	Pivot Pin Welded Assembly, EZ Extra 25 Machines
8	649339	1	Mainframe, Welded, EZ Extra 25
8	650360	1	Mainframe, Welded, EZ Extra 25 (Wide Deck)
9	649114	1	Lift Arm, Rear, Welded, EZ Extra 25 Machines
10	649067	1	Pin, Grooved, 1 1/4 x 25 1/16 Long
11	649111	1	Lift, Arm Front, Welded, EZ Extra 25 Machines
12	649065	3	Pin, Grooved, 1 1/4 x 5 9/16 Long
13	692107	1	Decal, Serial No., CAS 13
14	697021	35	Tape, 1 inch, White, 3M, 73001
15	698761	2	Tower Tie Bolt Assembly
16	690646	2	Portable Crossmember Assembly
17	693433	4	Anti-skid Tape, 5 5/8 x 21 3/4
18	649399	10	Setscrew, 3/4-10 x 1 1/2, Oval Point
19	697707	2	Decal, Chief, Side Channel
20	697700	3	Decal, Arrows, Side Channel
21	697022	32	Tape, 2 inches, White, 3M, 73101
22	649280	1	Ram, 15.7 T, 14 1/8 Stroke
23	649117	1	Jack T, EZ Extra 25 Machines
24	649064	1	Pin, Grooved, 1 x 5 Long
25	707479	2	Washer, 1 inch Thrust, Plated
26	770105	2	Retaining Ring, 1 inch Bar
27	603071	2	Tube, Jack T
28	693468	18	Retaining Ring, Heavy Duty, 1 1/4
29	649283	2	Ram Assembly, Tower, EZ Extra 25 Machines
30	697706	2	Decal, Tower Leg, EZ 25
31	649079	5	Snap Bushing, 1 inch Hole
32	692810	2	Bolt, HHCS, 3/4-10 x 1 3/4 Long
33	629896	2	Nut, 3/4-10NC Hex, Jam
34	649150	2	Safety Stop Assembly
35	649144	1	Bar, 7/8 x 21 1/2 Long
36	010624	2	Bolt, 1/2 -13 x 1, HHCS
37	770073	2	Bolt, 1-8 NC x 3 1/2 Long
38	692254	2	Nut, 1-8 NC, Hex Jam, Plated
39	630643	4	Bolt, 1/4-20NC x 1 1/2 Long
40	649284	1	Hose Block Assembly, EZ Extra 25 Machines
41	692801	2	Rubber Grommet
42	649426	1	Packaged Parts, EZ Extra 25
42	650399	1	Packaged Parts, EZ Extra 25 (Wide Deck)
43	629888	6	Ty-rap Cable Tie, Nylon, Black

Lift Assembly - EZ Extra 25 / EZ Extra 25 (Wide Deck)

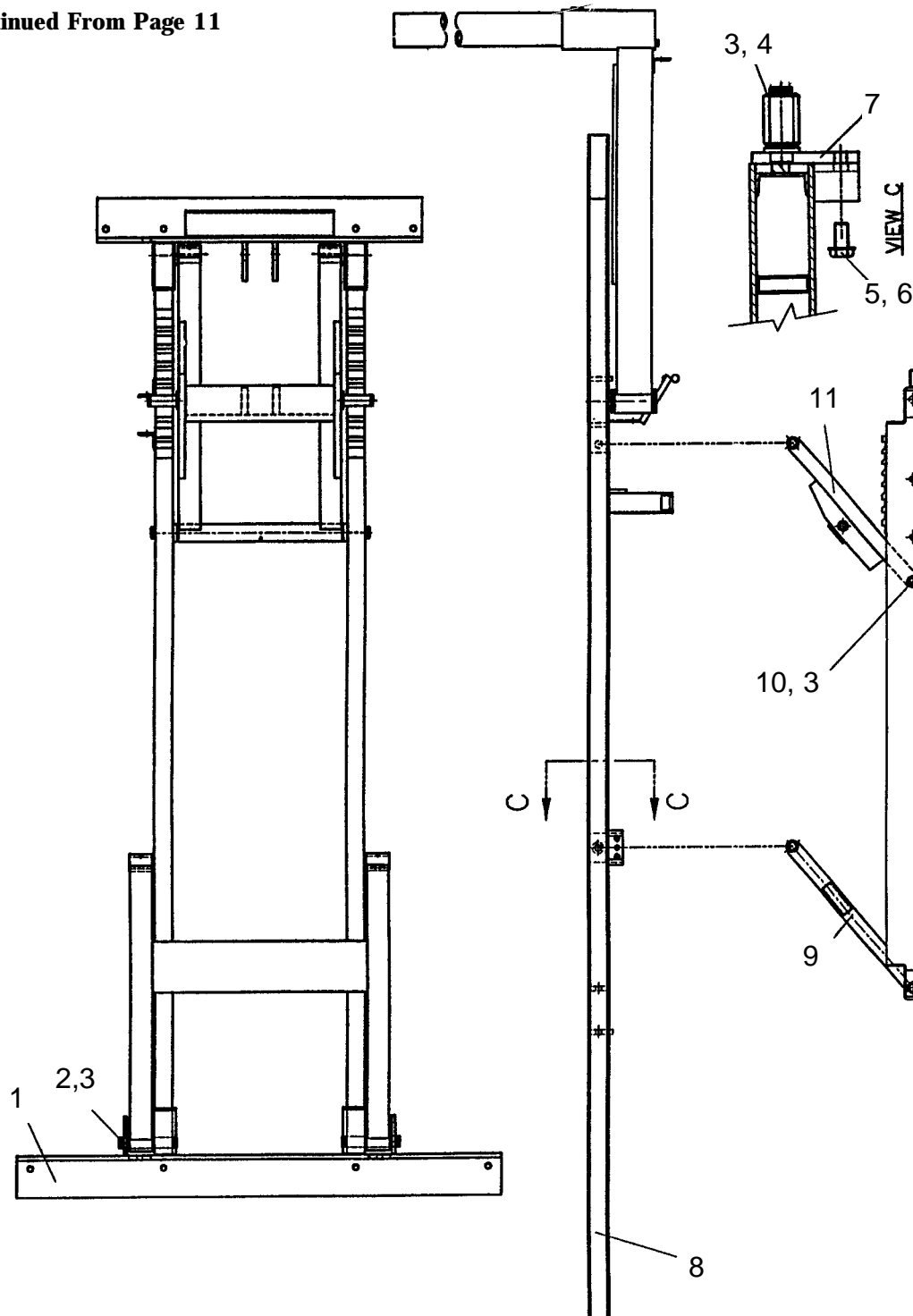
Refer To List Of Components On Page 10



Lift Assembly - EZ Extra 25 / EZ Extra 25 (Wide Deck)

Refer To List Of Components - Page 10

Continued From Page 11

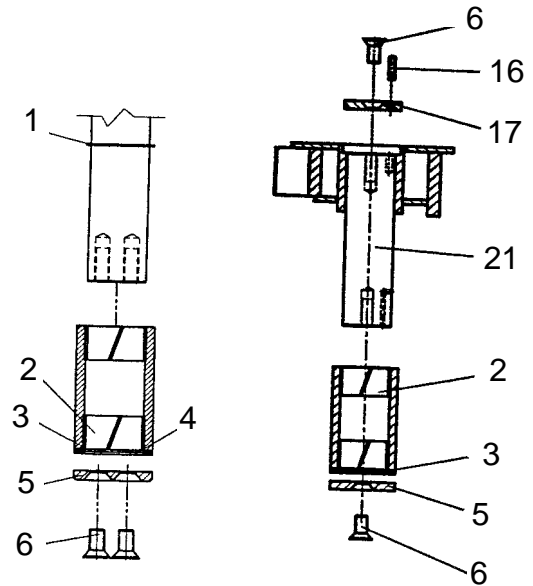


Tower Assembly - EZ 25 Series Machines

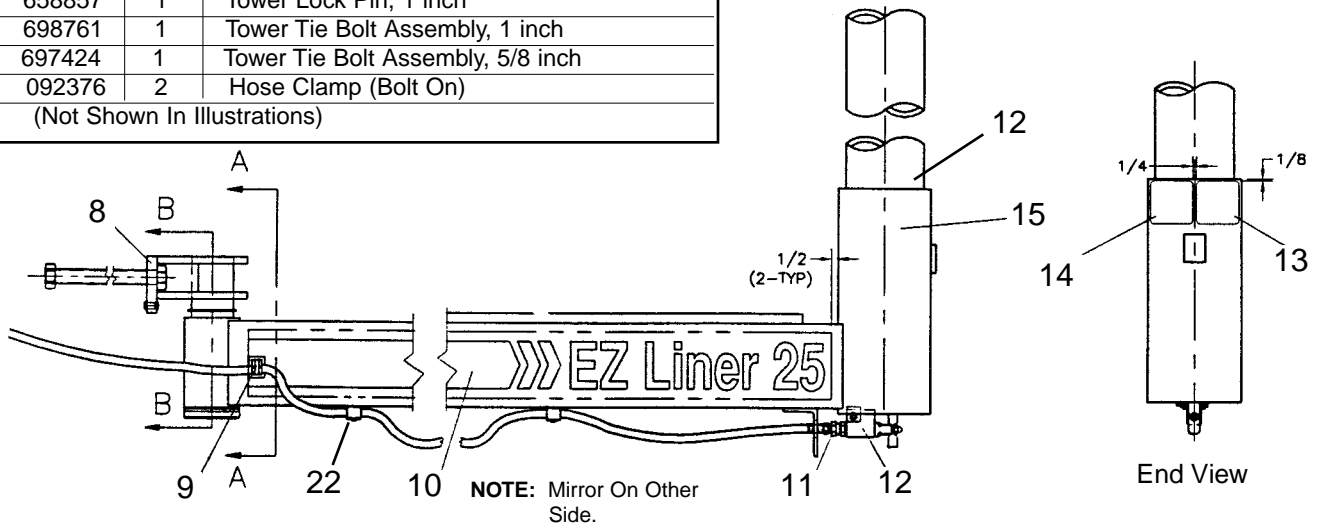
REF.	PART NO.	QTY.	DESCRIPTION
1	323514	1	Retaining Ring, 3 Inch, 5100-300
2	682670	2	Bearing, Auxiliary Tower
3	682718	1	Washer, Nylatron, 4 OD x 3 ID x 1/8
4	682716	1	Washer, Nylatron, 4 OD x 3 ID x 3/16
5	697024	1	Cap, Bearing Housing, EZ 25
6	697029	2	Bolt, CNTRSNK Head, 3/4 x 1 1/2,
7	697101	1	Tower Mount Ass'y, Single, Front/Rear
8	697103	1	Tower Mount Assembly, Rear, Second
9	697454	2	Clamp, Adhesive Back, rear tower only
10	697706	2	Decal, Tower Leg, EZ 25
11	602562	1	Swivel Coupler
12	690152	1	Ram Assembly, (Inside of Tower)
13	682769	1	Label, CAUTION, 4,000 PSI
14	693337	1	Label, WARNING, DO NOT
15	697520	1	Tower Assembly, Welded
16	697015	2	Dowel Pin, 3/8 x 1 1/2 Large
17	697179	2	Cap, Tower Pin, EZ 25
18	770142	4	Nut, 1-8NC, Hex, Gr. 8, Plated
19	010414	4	Bolt, A325, T1, 1.00 x 10.50
20	697017	4	Setscrew, 1/2-13NC x 1, Oval Point
21	697069	2	Pivot Pin, Front Crossmember, EZ 25
*	658859	1	Tower Lock Pin, 3/4 inch
*	658857	1	Tower Lock Pin, 1 inch
*	698761	1	Tower Tie Bolt Assembly, 1 inch
*	697424	1	Tower Tie Bolt Assembly, 5/8 inch
22	092376	2	Hose Clamp (Bolt On)
*	(Not Shown In Illustrations)		

EZ Liner 25 Tower Attachment

Tower Mount Crossmember Mount

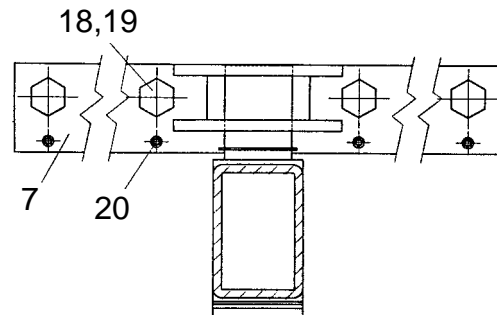


Section B



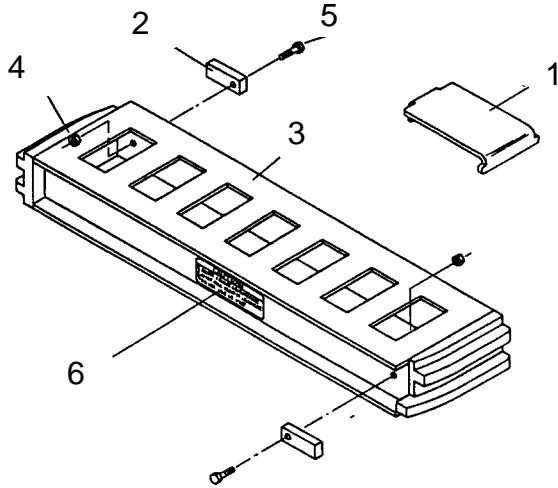
NOTES:

- Items marked with * are part of 697404.
- Center decals visually.



Section A

Moveable Crossmember Assembly



REF.	PART NO.	QTY.	DESCRIPTION
1	681336	2	Moveable Crossmember Lock
2	681328	2	Moveable Crossmember Flipper
3	690646	1	Moveable Crossmember Assembly
4	629440	2	Nut, 3/8-16
5	629861	2	Bolt, 3/8 x 16 x 1 1/4
6	692094	1	Label, CAUTION (Crossmember)



**P.O. Box 1368
Grand Island, Nebraska 68802-1368
Phone: 308/384-9747
Fax: 308/384-8966**

**INTAIRCO S.A.R.L.
CA de TREMBLAY CHARLES DE GAULLE
18, rue Henri FARMAN
93297 TREMBLAY EN FRANCE CEDEX
TEL 01 41 51 16 80
FAX 01 48 60 09 88**

**Chief reserves the right to alter product specifications.
and/or package components without notice.**