


Chief Fume Extractor Hood Controls Kit Installation Instructions

	WARNING	ADVERTISSEMENT
	Electric Shock Hazard <ul style="list-style-type: none"> • Disconnect all power to unit before servicing. • Installation and service by qualified professional only. 	Risque de choc électrique <ul style="list-style-type: none"> • Déconnecter toutes les alimentations électrique de l'unité avant l'entretien. • L'installation et l'entretien devront être réalisés uniquement par un professionnel qualifié.

1. Disconnect all power prior to beginning the installation.
2. Refer to the Appendix A of the Fume Extractor manual for system wiring diagram.
3. The controls mounting plate must be installed within the fume extractor unit. It is recommended that you perform these steps with the extraction arm disconnected and removed from the fume extractor system.
 - 3.1. Prior to installing into the unit, connect the 4-conductor cable to the terminal block with the 1-2-3-4 label to the control plate assembly. The terminal blocks operate by depressing the tab immediately above the connection point. Each wire should be connected as follows: 1=BLK, 2=RED, 3=WHT, 4=GRN. Once complete, pull on each wire to make sure it is secure.
 - 3.2. Lower the controls assembly plate into the unit by removing the clean air panel and placing the flange slots over the mounting studs on the blower support bracket. Secure with the provided ¼" hardware kit (03-10592).
 - 3.3. Connect the four individual wires from the G-N-A-H terminal block on the controls mounting plate to the G-N-A-H terminal block already installed on the unit as follows: GRN G↔G, WHT N↔N, RED A↔A, BLK H↔H. Pull each wire to make sure is secure.
 - 3.4. Use the provided wire-tie to secure the 4-conductor cable to the gage tubing on the left side of the motor blower assembly. Temporarily leave the entire length of cable in the unit. Figure 1 provides the finished assembly.

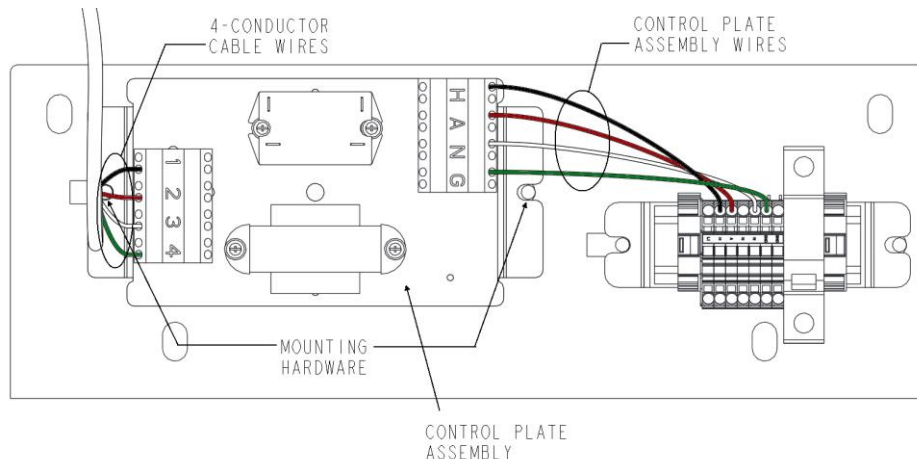


Figure 1 - Controls Mounting Plate Installation

4. Routing of 4-conductor cable through cabinet. Refer to Figure 2 for assembly details.

- 4.1. After installing the control plate, open the filter access door and remove the filter. Looking through the filter access door to the right-hand side on the panel between the clean and dirty air cabinet, locate and remove the plug shown in figure 2 by pushing through the panel towards the clean-air side. Route the 4-conductor wire through the cord grip up and over the baffle plate above.

- 4.2. Remove the spark arrestor using the latches and set aside. Route the 4-conductor wire through the grommet in Figure 3, and then through the "V" shaped channel at the top of the arrestor. Remove enough slack so the spark arrestor does not interfere with installation.

5. After routing the cable through the unit, install the swing arm as described in the extraction arm product manuals with the following exceptions.

- 5.1. Leave the two bolts closest to the filter hatch used to secure the swivel base to the unit out. The rotation stop is assembled in this location and requires longer hardware than is included in the standard extraction arm kit.

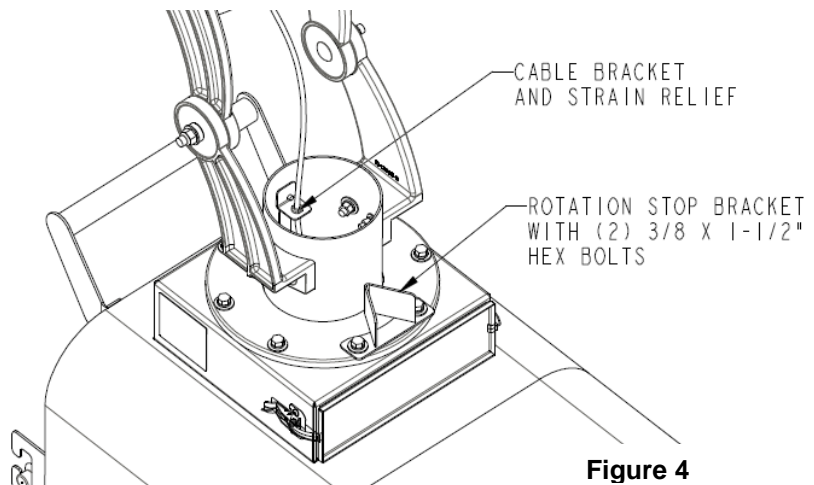
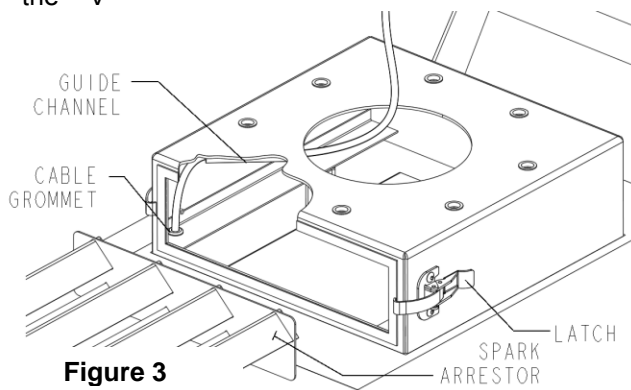
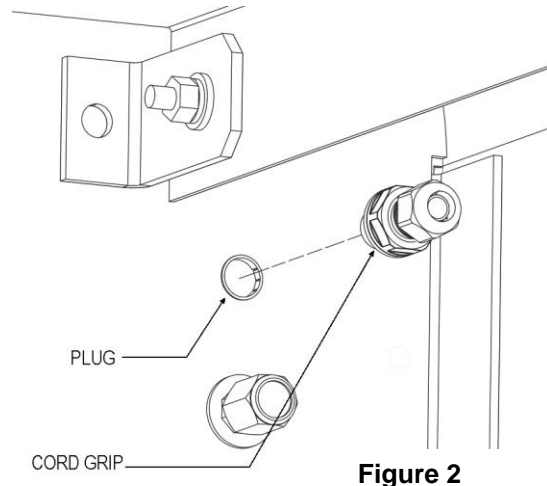
- 5.2. Do not assemble the flexible duct at the elbows as you will need access to the interior of the arm to complete the hood option assembly.

6. Installation of the rotational stop bracket. Refer to Figure 4 for assembly details.

- 6.1. Place the stop onto the holes where the hardware was left out with the cusp of the bracket pointing towards the unit inlet. Use the hardware provided in kit 03-10599 to secure the bracket and swivel base in place.

- 6.2. Mount the cable bracket to the inside of the swivel base collar by removing loosening upper nut which holds the gas spring support bracket in place. Place the bracket (flange down) over the bolt and replace the nut securely.

- 6.3. The 4-conductor wire is marked "ARM BASE MTG LOCATION" indicating where to attach the strain relief to the wire. This is important as this will provide enough slack to allow the arm to fully rotate but not enough for the wire to enter the blower or interfere with installation and removal of the spark arrestor.



- 6.4. Thread the 4-conductor cable through the strain relief hole in the bracket and strain relief. Secure the strain relief to the cable at the mark and insert the strain relief into to the hole on the bracket.
- 6.5. Thread the remaining cord through the entire extraction arm including the flexible sleeves and split clamps and thread through the right side of the hood inlet screen.

7. Securing the cable to the arm.

- 7.1. Drill two 1/4" holes in the rigid duct section, one near the middle elbow and one near the damper handle. The hole locations are specified on Figure 5.
- 7.2. Insert the black cable holders into the drilled holes and secure the cable to the holders using the wire ties. Enough slack should be left to allow full range of motion of the elbows but held tight through the hood duct to avoid the damper movement. Trim off the excess wire ties.
- 7.3. Thread the cable through the grommet and secure to the webbing of the inlet screen.

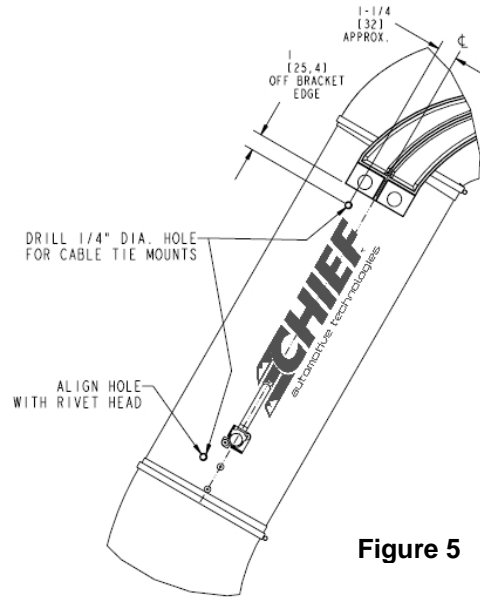


Figure 5

8. Mount the hood controls enclosure to the hood.

- 8.1. Place the enclosure in the top center of the hood with the back of the enclosure pressed firmly against the inside surface of the hood. Using the enclosure as a template, mark the two hole locations on the hood flange. Drill two 1/4" holes at the markings but do not assemble the enclosure to the arm at this time.

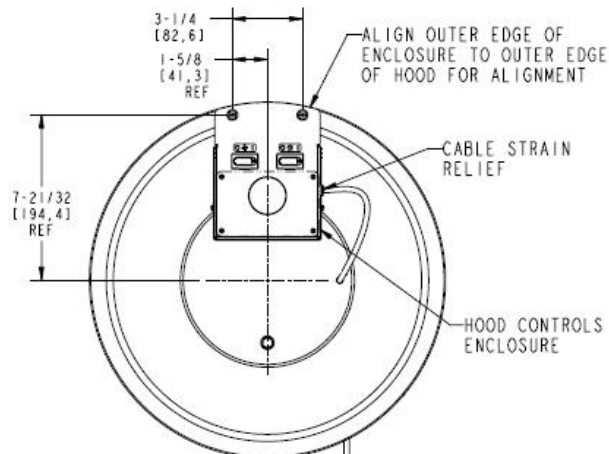


Figure 6

- 8.2. The 4-conductor cable contains marking that identifies where to cut the excess length for the 7 FT extraction arm. Note that the cable is already sized correctly for the 10 FT long extraction arm. Cut the cable on the long side of the label.
- 8.3. The cable is also marked on the length of stripping that is necessary.

Locate this label and strip the cable casing as marked and strip the individual wires 1/4".

- 8.4. Remove the enclosure lid and thread the cable into the enclosure through the hole on the right side. Connect each wire to the terminal blocks as noted on the PC board.
- 8.5. Crimp the remaining strain relief on the cable over the casing and insert into the enclosure assembly on the right side to secure.
- 8.6. Replace the enclosure lid.
- 8.7. Using the provided #10 hardware, secure the enclosure to the hood with the flat washer, lock washer and nut on the back side of the hood.

9. To verify that proper installation follow these steps.

- 9.1. Turn all power switches to the off position.
- 9.2. Plug the unit into a 120 VAC/1PH/60HZ power source and turn the unit main power switch to the on position.
- 9.3. Verify that the hood blower switch turns the unit blower on/off.

- 9.4. Verify that the light switch turns the light on/off.
- 9.5. Once proper functionality is verified, the flexible duct sleeves should be slid into position and secured with the provided hose clamps.

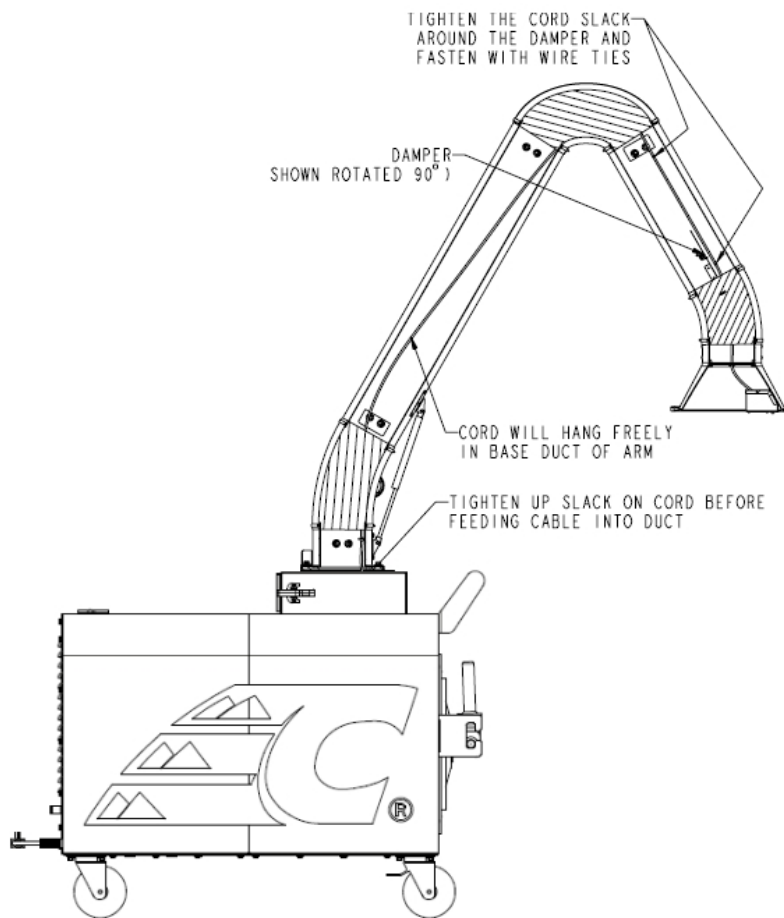


Figure 7 – Full Assembly Detail