

# Claw Hooks

For S21M Auxiliary Ram

**USERS MANUAL**





## **CHIEF'S LIMITED ONE-YEAR WARRANTY & LIABILITY**

Chief Automotive Technologies, Inc. warrants for one year from date of installation and/or purchase any of its products which do not perform satisfactorily due to defect caused by faulty material or workmanship. Chief's obligation under this warranty is limited to the repair or replacement of products which are defective and which have not been misused, carelessly handled, or defaced by repair or repairs made or attempted by others.

**CHIEF AUTOMOTIVE TECHNOLOGIES, INC. DOES NOT ASSUME RESPONSIBILITY FOR ANY DEATH, INJURY OR PROPERTY DAMAGE RESULTING FROM THE OPERATOR'S NEGLIGENCE OR MISUSE OF THIS PRODUCT OR ITS ATTACHMENTS. CHIEF MAKES NO WRITTEN, EXPRESS OR IMPLIED WARRANTY WHATSOEVER OF MERCHANTABILITY OR FITNESS FOR A PARTICULAR PURPOSE OR OTHERWISE REGARDING THE EQUIPMENT OR ANY PART OF THE PRODUCT OTHER THAN THE LIMITED ONE-YEAR WARRANTY STATED ABOVE.**

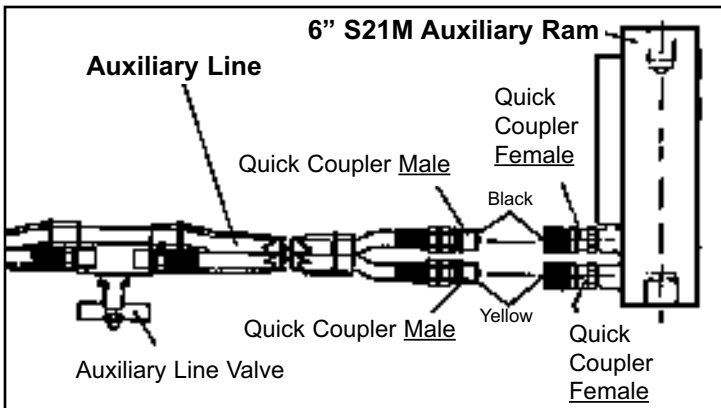


Figure 1

S21M auxiliary rams can be used for either pushing or pulling. Not only is pressure exerted when the piston is 'extended' but also when it is 'retracted'. This feature, coupled with the Claw Hook Accessory Package, allows the ram to be used as a pulling device. The pull may occur between two structural components or between a structural component and the mainframe.

**CAUTION:** DO NOT exceed 5 ton (45kN) pulling capacity of claw hooks when making pulls.

**WARNING:** To avoid severe personal injury to yourself and others, DO NOT position yourself close to or in line with chains, clamps, or other accessories while pressure is applied to this system.

### Installation

1. Attach auxiliary line to 6 inch S21M auxiliary ram making sure both couplers are tight. (See Figure 1.) Secure 'black' male and female couplers together and secure 'yellow' male and female couplers together.
2. Apply hydraulic pressure to extend the piston to the desired length (6 inch maximum).
3. Thread claw hook - Part No. 601213 into bottom of ram. (See Figure 2.)
4. Thread claw hook - Part No. 601214 onto piston end of ram. (See Figure 2.)

**EXAMPLE:** Figure 3 shows an auxiliary ram assembly making an angular down pull on a rail. A T-hook (with chain) was used in the assembly.

**IMPORTANT:** When setting up pulls position ram to avoid breakage of quick couplers.

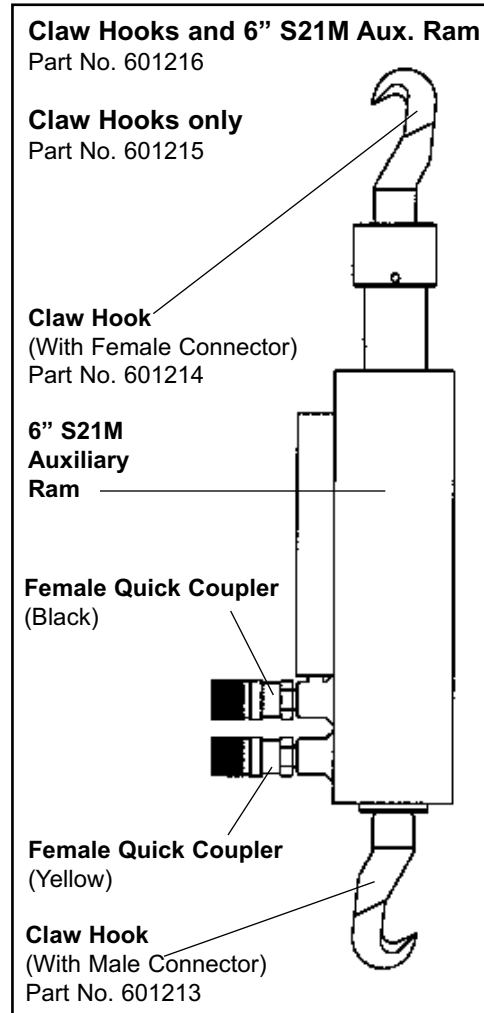


Figure 2

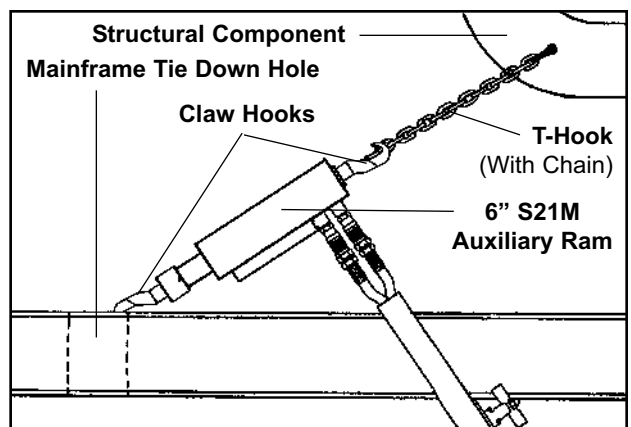


Figure 3



**P.O. Box 1368  
Grand Island, Nebraska 68802-1368  
Phone: 308/384-9747  
Fax: 308/384-8966**

**[www.chiefautomotive.com](http://www.chiefautomotive.com)**

**Chief reserves the right to alter product specifications  
and/or package components without notice.**