

BMW Clamping Adapters 3, 7 & 8

With Side Jack



USERS MANUAL

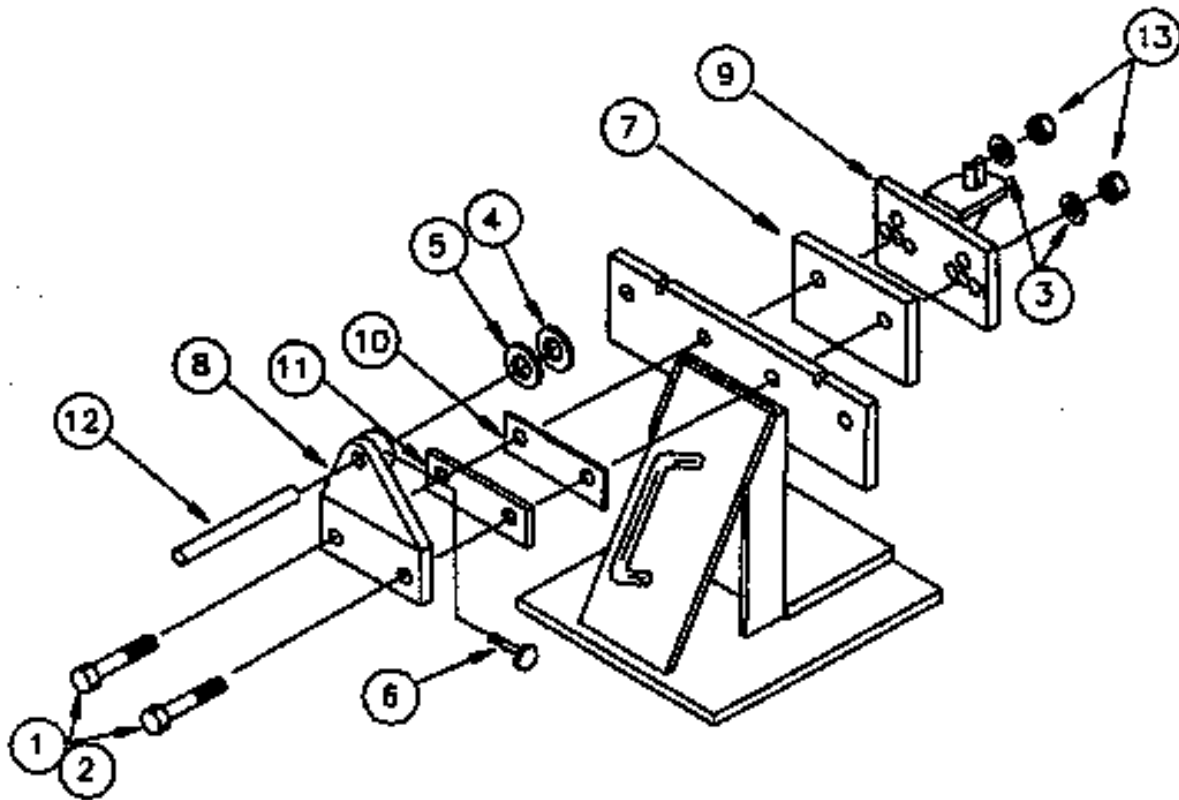
Part No. 518318



CHIEF'S LIMITED ONE-YEAR WARRANTY & LIABILITY

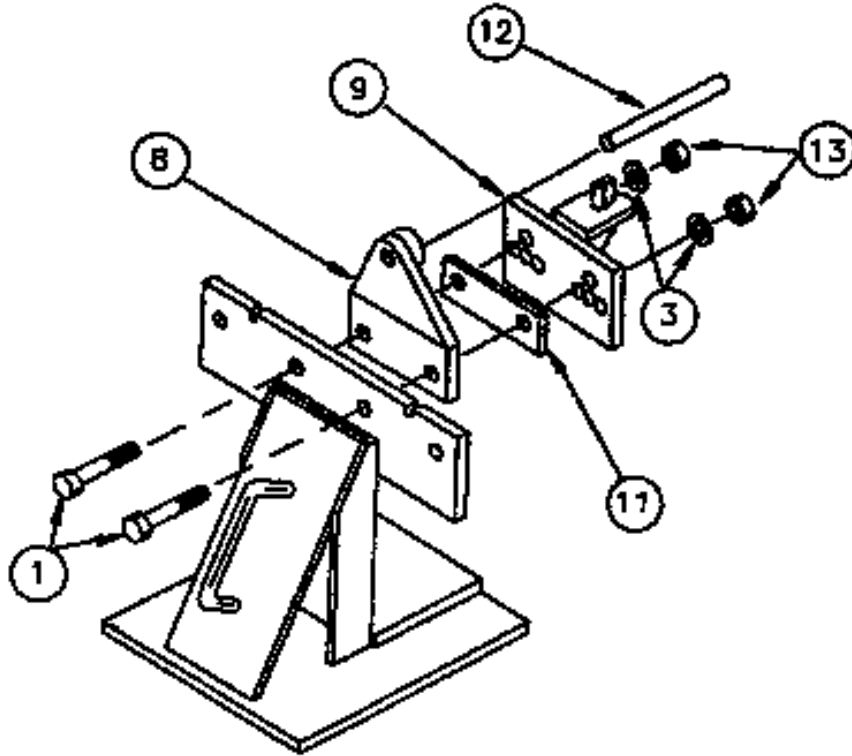
Chief Automotive Technologies, Inc. warrants for one year from date of installation and/or purchase any of its products which do not perform satisfactorily due to defect caused by faulty material or workmanship. Chief's obligation under this warranty is limited to the repair or replacement of products which are defective and which have not been misused, carelessly handled, or defaced by repair or repairs made or attempted by others.

CHIEF AUTOMOTIVE TECHNOLOGIES, INC. DOES NOT ASSUME RESPONSIBILITY FOR ANY DEATH, INJURY OR PROPERTY DAMAGE RESULTING FROM THE OPERATOR'S NEGLIGENCE OR MISUSE OF THIS PRODUCT OR ITS ATTACHMENTS. CHIEF MAKES NO WRITTEN, EXPRESS OR IMPLIED WARRANTY WHATSOEVER OF MERCHANTABILITY OR FITNESS FOR A PARTICULAR PURPOSE OR OTHERWISE REGARDING THE EQUIPMENT OR ANY PART OF THE PRODUCT OTHER THAN THE LIMITED ONE-YEAR WARRANTY STATED ABOVE.



| REF. | PART NO. | QTY. | DESCRIPTION |
|------|---------------|------|---|
| | 519070 | | BMW 3 (with side jack lifting holes), 7 & 8 Series Clamping Adapters |
| 1 | 010630 | 8 | Bolt, 1/2-13 NC x 2 1/2, GR8. |
| 2 | 010634 | 4 | Bolt, 1/2 - 13NC x 3 1/2, GR. 8 |
| 3 | 019095 | 8 | Washer, 1/2 |
| 4 | 092441 | 8 | Round Spacer, 1/8 |
| 5 | 092432 | 4 | Round Spacer, 1/4 (F) |
| 6 | 309424 | 4 | Knob Assembly, 1/4 x 1 1/2, 1 inch Knob. |
| 7 | 514189 | 4 | Flat, Slotted, 1/2 |
| 8 | 518313 | 4 | Outer Pin Support |
| 9 | 518315 | 4 | BMW Universal Adapter |
| 10 | 532195 | 8 | Spacer, 1/8 |
| 11 | 532196 | 4 | Spacer, 1/4 |
| 12 | 618302 | 4 | Outer Support Pin |
| 13 | 620736 | 8 | Nut, 1/2 - 13 NC GR. 8 |

(See Parts Listing - Page 1)

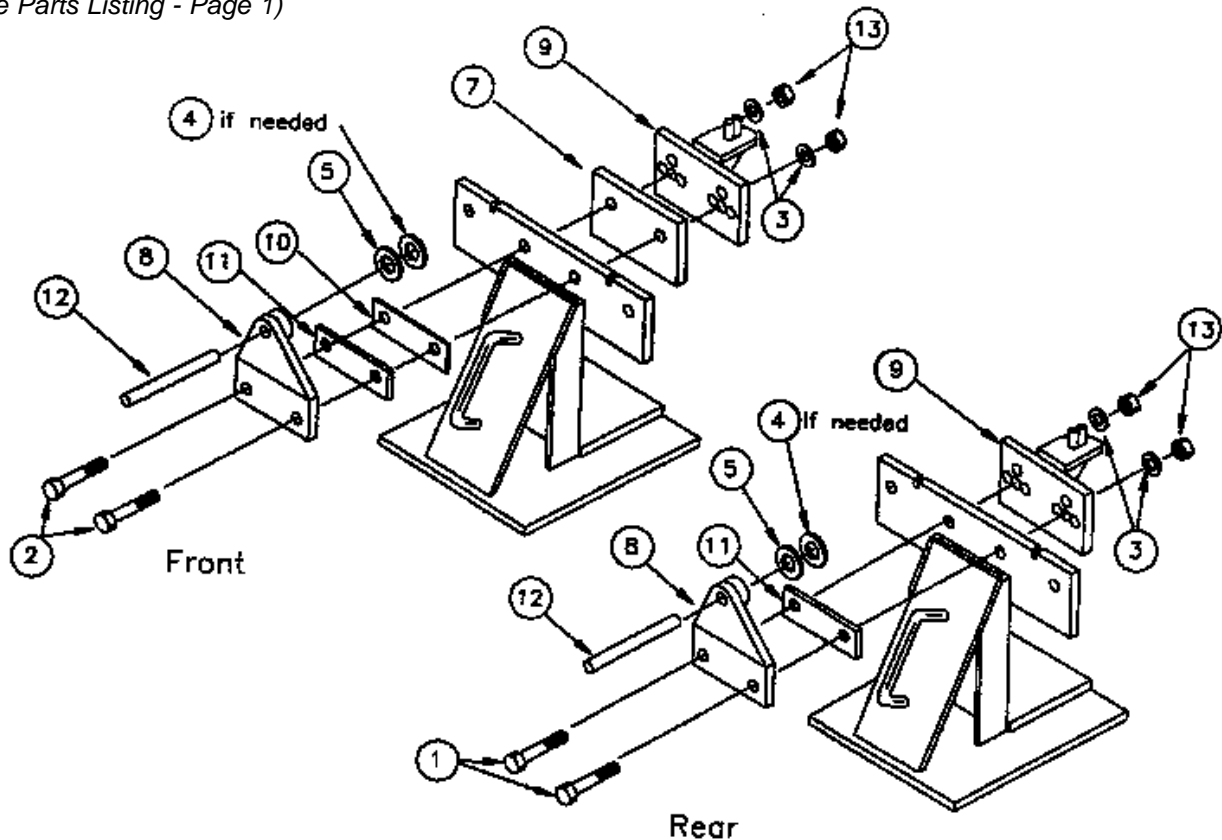


BMW 3 Series (with side jack lifting holes) Clamping Setup

1. Remove conventional clamp jaws.
2. Attach BMW clamping adapter (518315), 1/4 inch spacer (532196) and outer pin support (518313) to pinchweld clamps as shown.
3. Remove plugs in bottom of rocker panels and jacking holes.
4. Lower vehicle onto supports while guiding outer support pins (618302) into jacking holes.
5. Tighten thumbscrew to hold pin in place.

NOTE: Use support bolt holes on clamping adapter.

(See Parts Listing - Page 1)



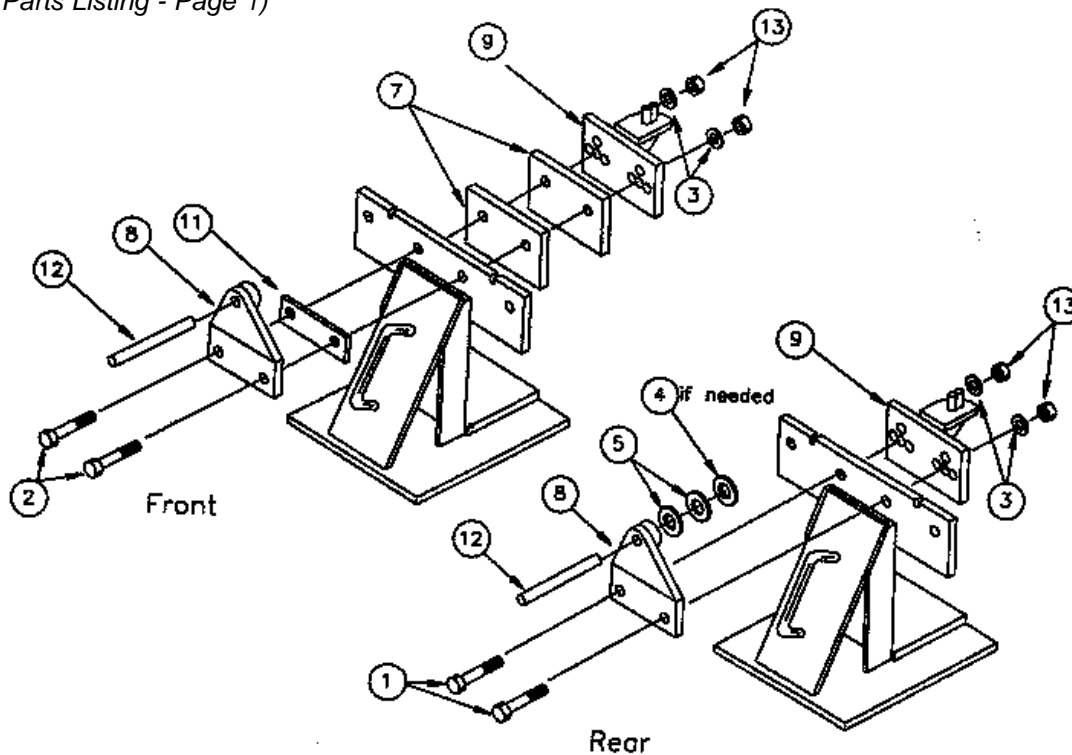
BMW 7 Series Clamping Setup

1. Remove conventional clamp jaws.
2. Attach BMW clamping adapter (518315) with flat (514189) between adapter and front stand.
3. Attach outer pin support (518313) with 1/4 inch and 1/8 inch spacers (532195 and 532196) between outer support and front stand.
4. Attach BMW clamping adapter (518315) to rear stand.
5. Attach outer pin support (518313) with 1/4 inch spacer (532196) between outer support and rear stand.
6. Remove plugs in bottom of rocker panels and jacking holes.
7. Lower vehicle onto adapters while guiding outer support pins (618302) into jacking holes.
8. Add round 1/4 inch spacer (092432) between rocker panel jacking holes and outer support.
9. Add round 1/8 inch spacer (092441) as needed.
10. Tighten thumbscrew to hold pin in place.

NOTE: Use lower center bolt holes on clamping adapter.

150295

(See Parts Listing - Page 1)



BMW 8 Series Clamping Setup

1. Remove conventional clamp jaws.
2. Attach BMW clamping adapter (518315) with two flats (514189) between adapter and front stand.
3. Attach outer pin support (518313) with 1/4 inch spacer (532196) between outer support and front stand.
4. Attach BMW clamping adapter (518315) to rear stand.
5. Attach outer pin support (518313) to rear stand.
6. Remove plugs in bottom of rocker panels and jacking holes.
7. Lower vehicle onto adapters while guiding outer support pins (618302) into jacking holes.
8. Add two round 1/4 inch spacers (092432) between rocker panel jacking holes and outer support.
9. Add round 1/8 inch spacer (092441) as needed.
10. Tighten thumbscrew to hold pin in place.

NOTE:

1. Use lower center bolt holes on each rear clamping adapter.
2. Use lower forward bolt holes on each front clamping adapter.



P.O. Box 1368
Grand Island, Nebraska 68802-1368
Phone: 308/384-9747
Fax: 308/384-8966

www.chiefautomotive.com

**Chief reserves the right to alter product specifications
and/or package components without notice.**