

Honda Universal Adapter (Accord & Acura Series)

- For:
- Universal Anchoring System
 - Universal Measuring System
Pinchweld Stands



USERS MANUAL

Part No. 150085



CHIEF'S LIMITED ONE-YEAR WARRANTY & LIABILITY

Chief Automotive Technologies, Inc. warrants for one year from date of installation and/or purchase any of its products which do not perform satisfactorily due to defect caused by faulty material or workmanship. Chief's obligation under this warranty is limited to the repair or replacement of products which are defective and which have not been misused, carelessly handled, or defaced by repair or repairs made or attempted by others.

CHIEF AUTOMOTIVE TECHNOLOGIES, INC. DOES NOT ASSUME RESPONSIBILITY FOR ANY DEATH, INJURY OR PROPERTY DAMAGE RESULTING FROM THE OPERATOR'S NEGLIGENCE OR MISUSE OF THIS PRODUCT OR ITS ATTACHMENTS. CHIEF MAKES NO WRITTEN, EXPRESS OR IMPLIED WARRANTY WHATSOEVER OF MERCHANTABILITY OR FITNESS FOR A PARTICULAR PURPOSE OR OTHERWISE REGARDING THE EQUIPMENT OR ANY PART OF THE PRODUCT OTHER THAN THE LIMITED ONE-YEAR WARRANTY STATED ABOVE.

Specially designed adapters are used in conjunction with Universal Anchoring System (UAS) stands and Universal Measuring System (UMS) pinchweld stands when securing vehicles with horizontal pinchwelds and vertical jack tabs in the corners of their center sections. (All Honda / Accord / Acura vehicles excluding Odessey.) These adapters allow the positioning of vertical jack tabs into a slot on the adapter's top surface, and the attachment of 4 inch clamps to horizontal pinchwelds.

The Honda adapters attach to UAS stands in two ways dependent upon anchoring tube used. Figure 1 shows attachment to the ears of a UAS clamp bar tube. Figure 2 shows attachment to the vertical surface of a UMS adapter tube. Figure 3 shows attachment to the vertical surface of a UMS pinchweld stand. Each illustration shows the Honda adapter in its lowest mounted position.

IMPORTANT: Information on use of anchoring stands (including their attachment to repair system mainframes) appears in the UAS Users Manual and UMS Pinchweld Stand Users Manual.

Spacers are provide with Honda adapters which allow height adjustment of horizontal clamps. The spacers, positioned between top surface of adapter and bottom surface of lower clamp half, are provided in these thicknesses: 1/8" (3.17mm), 1/4" (6.35mm), 1/2" (12.7mm), and 1" (25.4mm). This manual identifies the correct spacer(s) to use for each Honda / Accord / Acura vehicle. (See following pages.) Use the identified spacer(s) regardless of the anchoring setup and observe the following when applicable.

- When using UMS adapter tubes in UAS stands, use not only the identified spacer(s) but also adjust vehicle's specified datum height 3/4" (19mm).
- When using UMS pinchweld stands, use not only the identified spacer(s), but also adjust vehicle's specified datum height 1/2" (12.7mm).

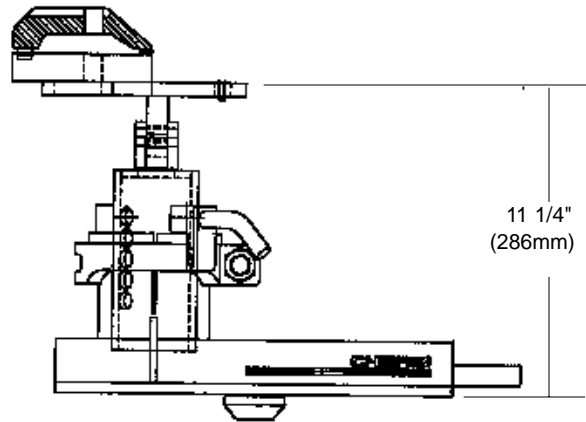


Figure 1

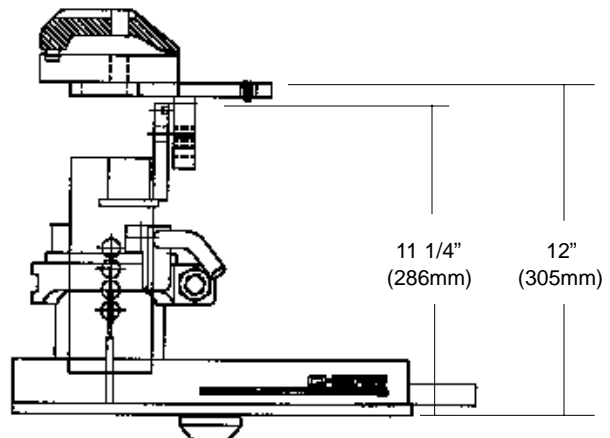


Figure 2

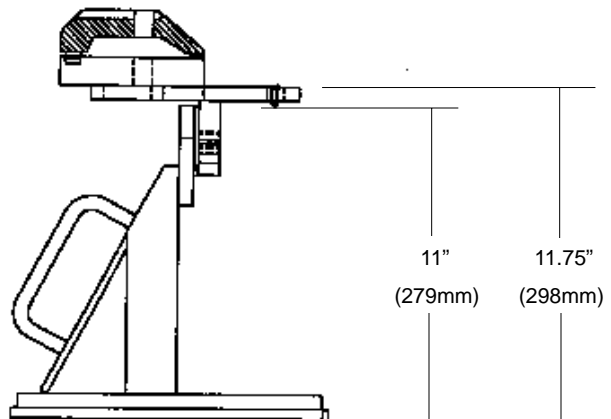
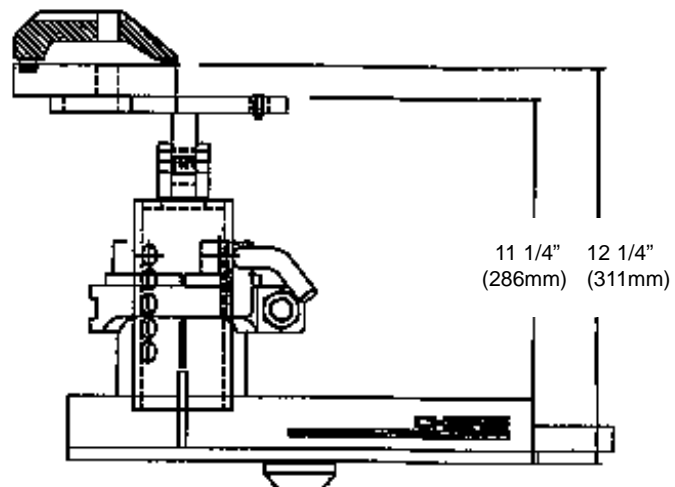


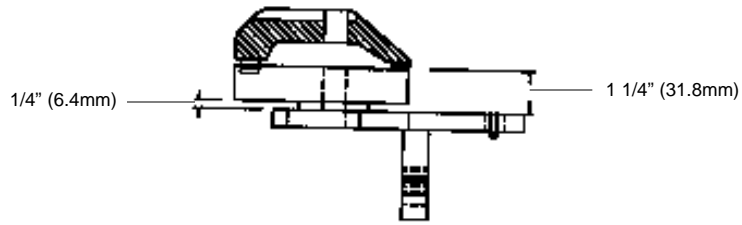
Figure 3

Ref.	Vehicle Description	Page No.
HO-30	Accord (all models) 1990-93	3
HO-31	Civic 3 Door 1992-95	3
HO-32	Civic 4 Door & 2 Door Coupe 1992-95	3
HO-33	Prelude 1992-96	3
HO-34	Civic De Sol 1993-	3
HO-35	Accord (all models) 1994-97	3
HO-37	Accord D Door (6 cylinder) 1995-97	3
HO-38	Civic 2 Door & 4 Door 1996-	3
HO-39	Civic 3 Door 1996-	3
HO-40	Prelude 1997-	3
HO-43	Accord 2 Door (4 cylinder) 1998-	3
HO-44	Accord 2 Door (6 cylinder) 1998-	3
HO-45	Accord 4 Door (4 cylinder) 1998-	3
HO-46	Accord 4 Door (6 cylinder) 1998-	3
HO-47	CR-V 5 Door 2 WD 1997-	2
AC-10	Acura Legend Coupe 1991-95	4
AC-11	Acura Legend Sedan 1991-95	4
AC-12	Acura Vigor 1992-95	4
AC-13	Acura NSX 1991-	4
AC-14	Acura Integra 3 Door 1994-	3
AC-15	Acura Integra 4 Door 1994-	3
AC-16	Acura 2.5 TL 1996-	3
AC-17	Acura 3.2 TL 1996-	3
AC-18	Acura 2.2 CL 1997-	2
AC-19	Acura 3.5 RL 4 Door 1996-	4
AC-20	Acura 3.0 CL Coupe 1997-	2
AC-21	Acura NSX Convertible 1995-	4

HO - 47
 AC - 18
 AC - 20

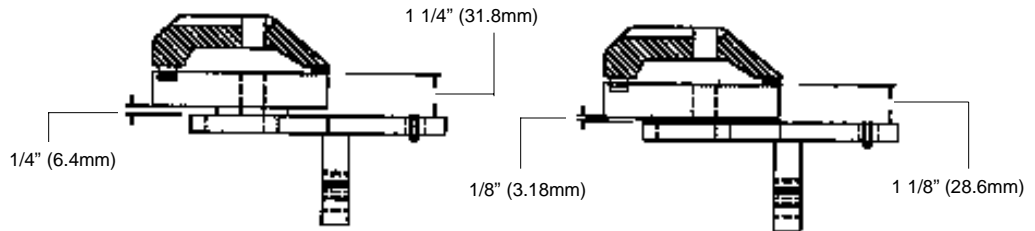


- HO - 31
- HO - 32
- HO - 40
- AC - 14
- AC - 15
- AC - 16
- AC - 17



Front Setup and Rear Setup

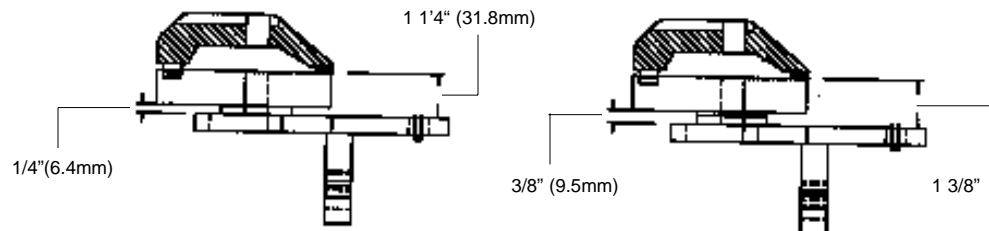
- HO - 35
- HO - 37
- HO - 43
- HO - 45
- HO - 46



Front Setup

Rear Setup

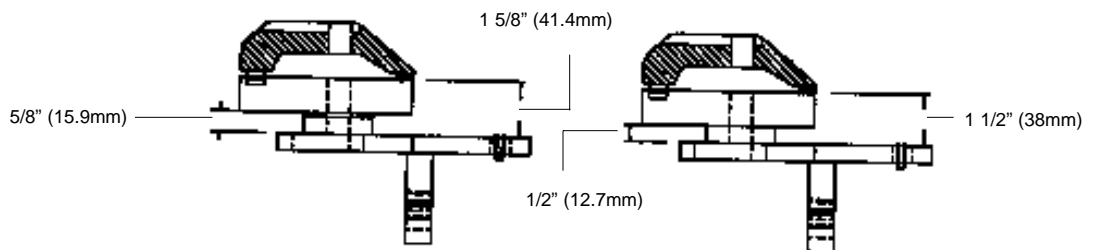
- HO - 33
- HO - 38
- HO - 39
- HO - 44
- HO - 45



Front Setup

Rear Setup

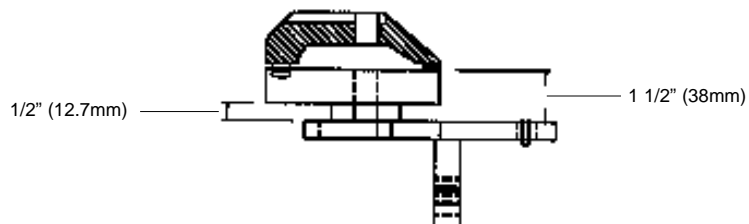
- HO - 30



Front Setup

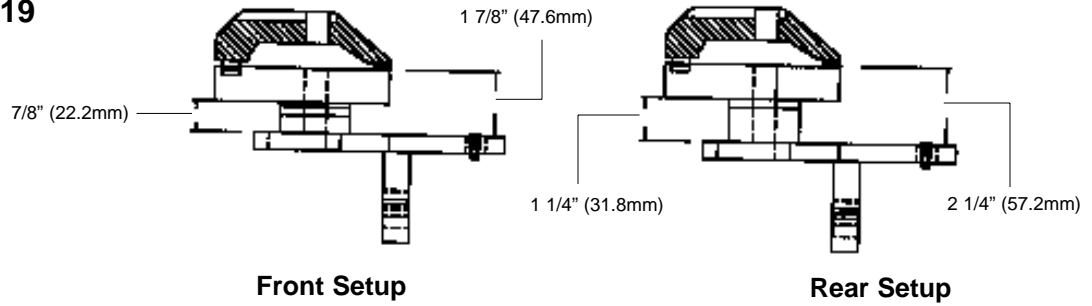
Rear Setup

- HO - 34

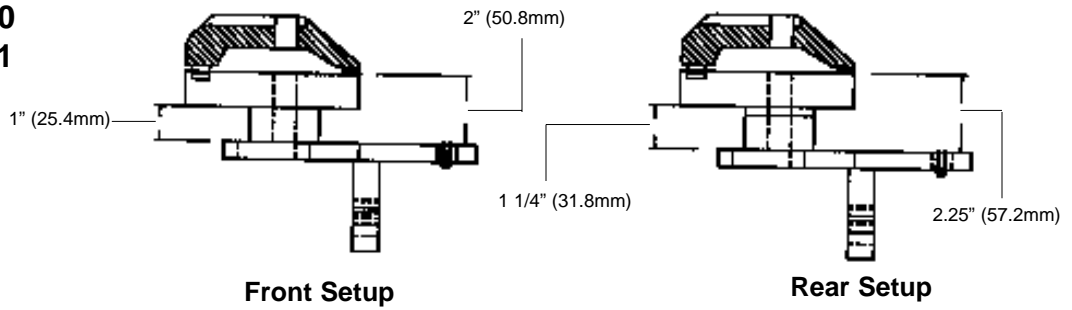


Front Setup and Rear

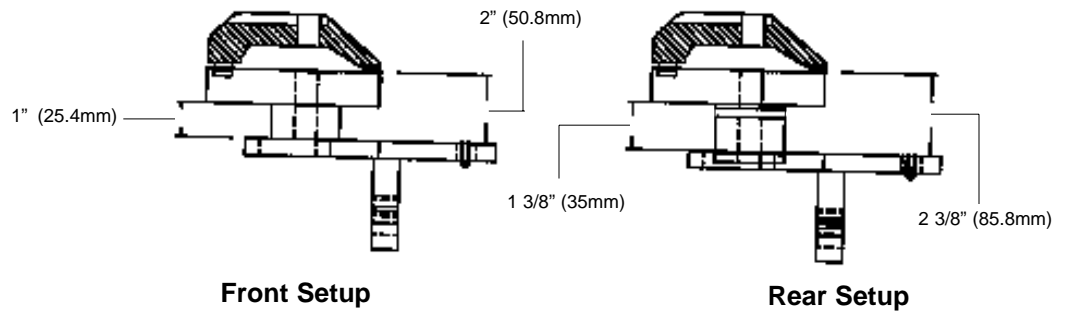
AC - 19



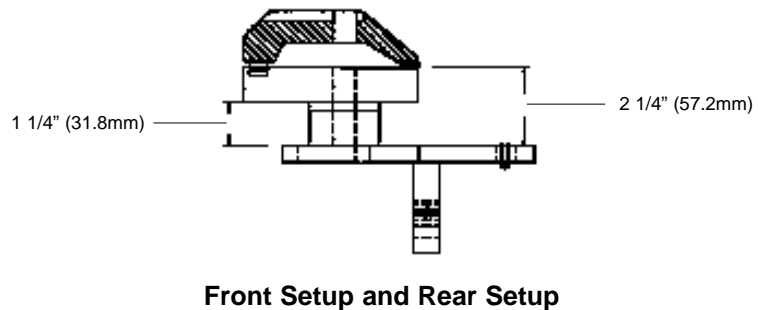
**AC - 10
AC - 11**



AC - 12



**AC - 13
AC - 21**



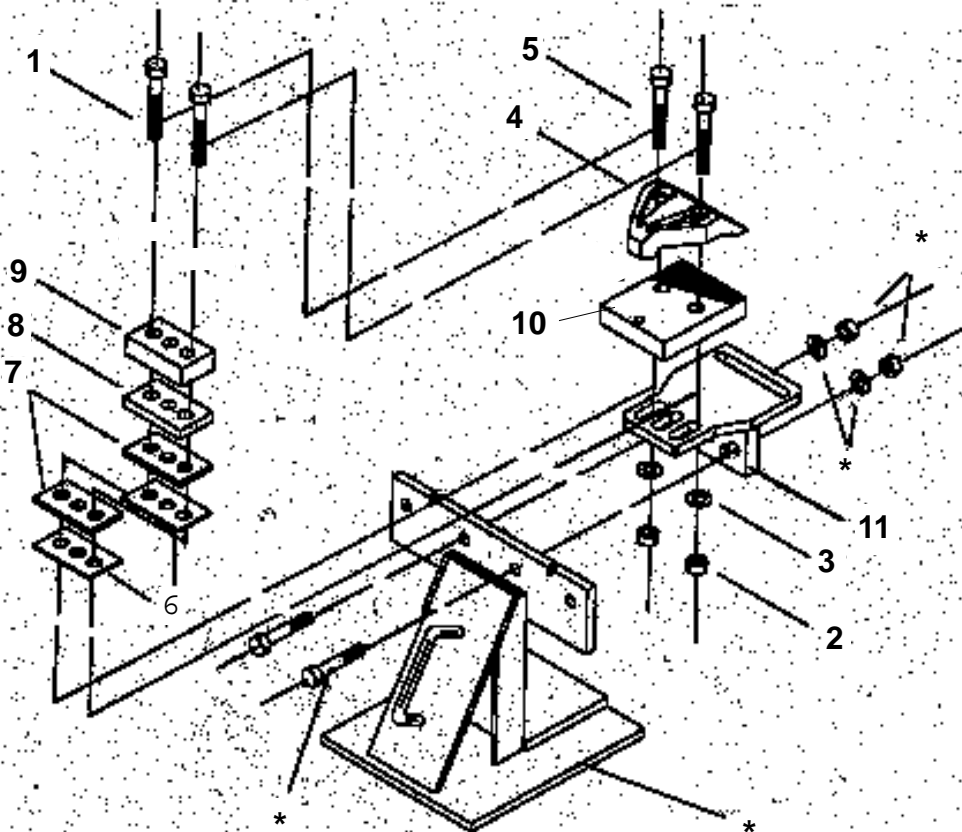
Parts Information

To order replacement parts for the Universal Honda Adapter, contact Chief Automotive Technologies, Inc. 800-445-9262 (toll free). If outside the United States, contact the nearest Chief Automotive Technologies, Inc. representative.)

When contacting Chief Automotive Technologies, Inc. by telephone or mail, provide the following information: name, name of shop, shop telephone number, and shop address. Additional information needed when ordering: description of part(s) and part number(s).

Ref.	Part No.	Description
	674066	Honda Universal Adapter Package
1	010699	Bolt, 5/8-11NC x 5 1/2 Gr. 8
2	601682	Nut, 5/8-11NC Gr. 8
3	601690	Washer, 5/8 x 1/8
4	618898	Clamp Half, Upper
5	620613	Bolt, 5/8-11NC x 4 1/2, Gr. 8
6	673120	Spacer, 1/8, Clamp Adapter
7	673121	Spacer, 1/4, Clamp Adapter
8	673126	Spacer, 1/2, Clamp Adapter
9	673127	Spacer, 1, Clamp Adapter
10	673128	Clamp Half, Lower, Honda
		UAS/UMS
11	674065	Clamp Adapter, Honda, UAS/UMS
N/S	150085	Owners Manual
N/S	519720	Decal (674066) for Tool Box
N/S	519730	Anchoring Tool Box
*		(Existing Anchoring Parts Not Included)

Universal Honda Adapter Components





P.O. Box 1368
Grand Island, Nebraska 68802-1368
Phone: 308/384-9747
Fax: 308/384-8966

www.chiefautomotive.com

**Chief reserves the right to alter product specifications
and/out package components without notice.**