

Mercedes Universal Adapter

Series 124, 129, 140, 170, 202, 208, 210, 220

USERS MANUAL

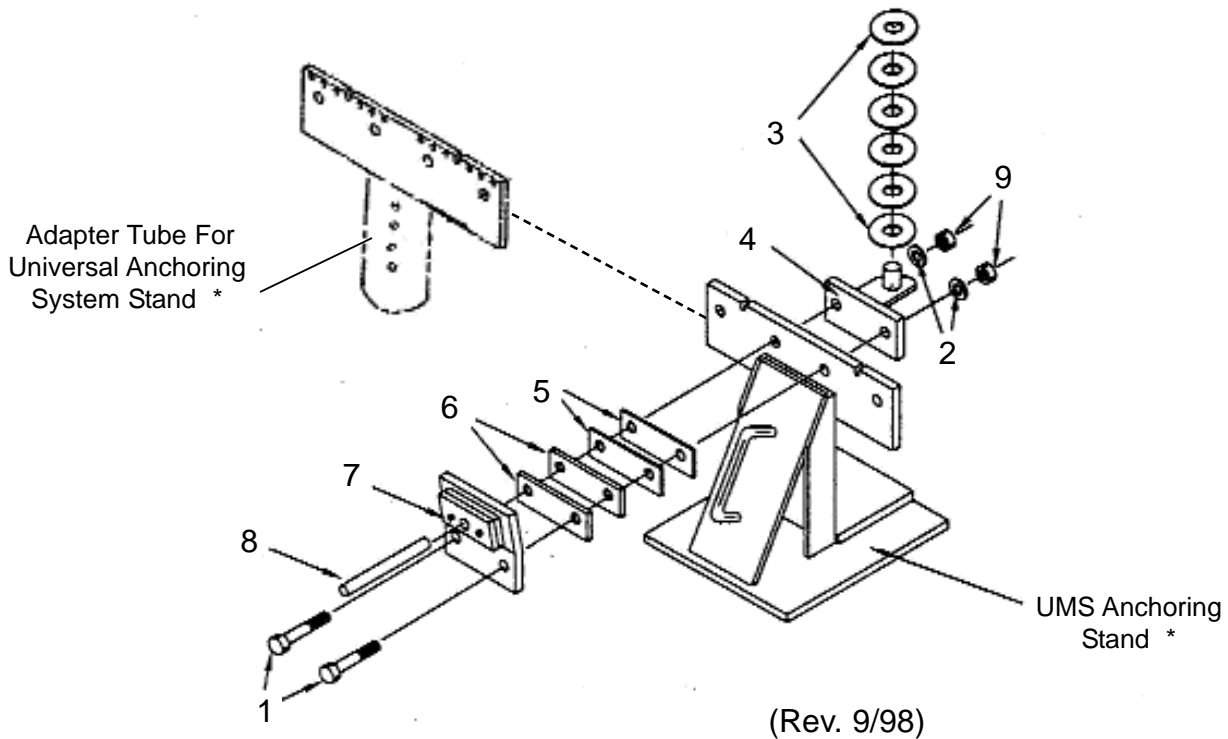




CHIEF'S LIMITED ONE-YEAR WARRANTY & LIABILITY

Chief Automotive Technologies, Inc. warrants for one year from date of installation and/or purchase any of its products which do not perform satisfactorily due to defect caused by faulty material or workmanship. Chief's obligation under this warranty is limited to the repair or replacement of products which are defective and which have not been misused, carelessly handled, or defaced by repair or repairs made or attempted by others.

CHIEF AUTOMOTIVE TECHNOLOGIES, INC. DOES NOT ASSUME RESPONSIBILITY FOR ANY DEATH, INJURY OR PROPERTY DAMAGE RESULTING FROM THE OPERATOR'S NEGLIGENCE OR MISUSE OF THIS PRODUCT OR ITS ATTACHMENTS. CHIEF MAKES NO WRITTEN, EXPRESS OR IMPLIED WARRANTY WHATSOEVER OF MERCHANTABILITY OR FITNESS FOR A PARTICULAR PURPOSE OR OTHERWISE REGARDING THE EQUIPMENT OR ANY PART OF THE PRODUCT OTHER THAN THE LIMITED ONE-YEAR WARRANTY STATED ABOVE.

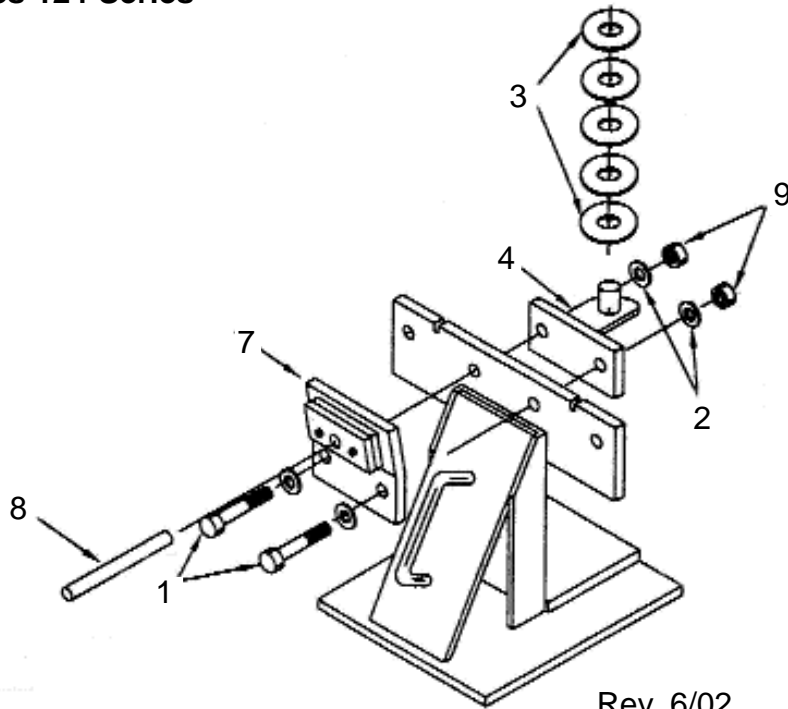


* Not included with Mercedes Universal Adapter Package

Ref	Part No.	Qty.	Description
	519060		Mercedes Universal Adapter Package
1	010632	8	Bolt, 1/2-13NC x 3, Gr. 8
2	019095	8	Washer, 1/2 inch
3	090784	24	Washer, 2 1/2 x 1 3/16 ID x 1/8
4	518171	4	Mercedes Universal Adapter Base
5	532195	8	Spacer, 1/8 inch
6	532196	8	Spacer, 1/4 inch
7	519025	4	Mercedes Pin Plate Adapter Assembly
8	618302	4	Outer Support Pin
9	620736	8	Nut, 1/2-13NC Gr. 8

Mercedes 124 Series

1986-1989



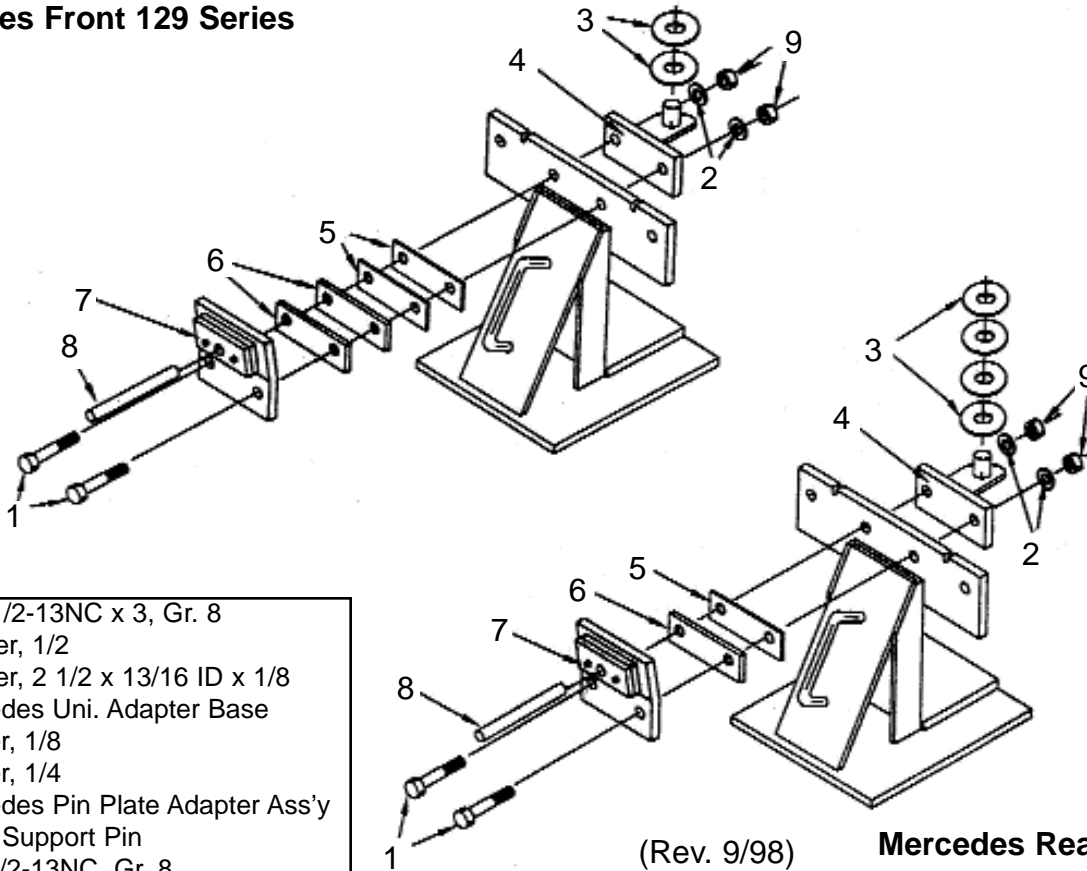
- 1 Bolt, 1/2-13NC x 3, Gr. 8
 - 2 Washer, 1/2
 - 3 Washer, 2 1/2 x 13/16 ID x 1/8
 - 4 Mercedes Uni. Adapter Base
 - 5 Spacer, 1/8
 - 6 Spacer, 1/4
 - 7 Mercedes Pin Plate Adapter Ass'y
 - 8 Outer Support Pin
 - 9 Nut, 1/2-13NC, Gr. 8
- (refer to part numbers — page 1)

Rev. 6/02

Application Instructions:

1. Remove conventional clamp jaws.
2. Install pin plate adapter and universal adapter base to the same side of clamp.
3. Install five washers (090784) on adapter base as shown.
4. Insert outer support pin into pin plate adapter.
5. Lower vehicle onto universal adapter base while guiding pins into jack holes.

Mercedes Front 129 Series



- | | |
|----------------------------------|----------------------------------|
| 1 | Bolt, 1/2-13NC x 3, Gr. 8 |
| 2 | Washer, 1/2 |
| 3 | Washer, 2 1/2 x 13/16 ID x 1/8 |
| 4 | Mercedes Uni. Adapter Base |
| 5 | Spacer, 1/8 |
| 6 | Spacer, 1/4 |
| 7 | Mercedes Pin Plate Adapter Ass'y |
| 8 | Outer Support Pin |
| 9 | Nut, 1/2-13NC, Gr. 8 |
| (refer to part numbers — page 1) | |

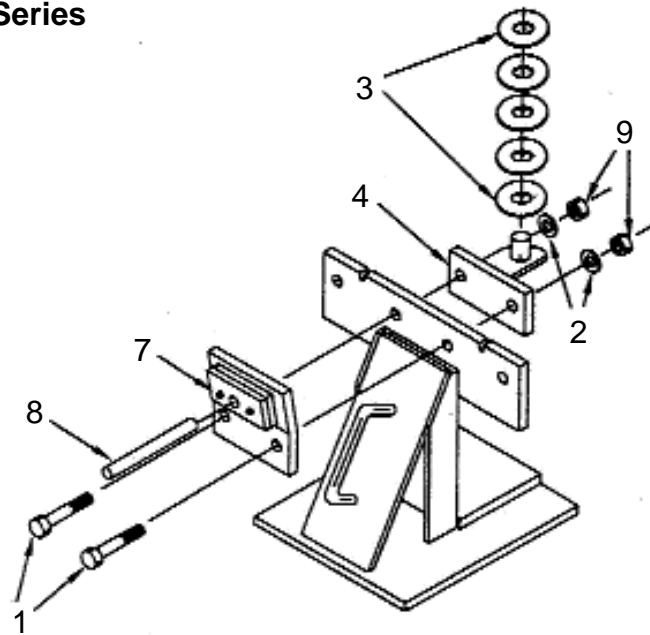
(Rev. 9/98)

Mercedes Rear 129 Series

Application Instructions:

1. Remove conventional clamp jaws.
2. Install universal adapter base as shown above.
3. Install pin plate adapter with spacers on opposite side of clamp.
4. Install washers (090784) on adapter base as shown.
5. Insert outer support pin into pin plate adapter.
6. Lower vehicle onto universal adapter base while guiding pins into jack holes.

Mercedes 140 Series



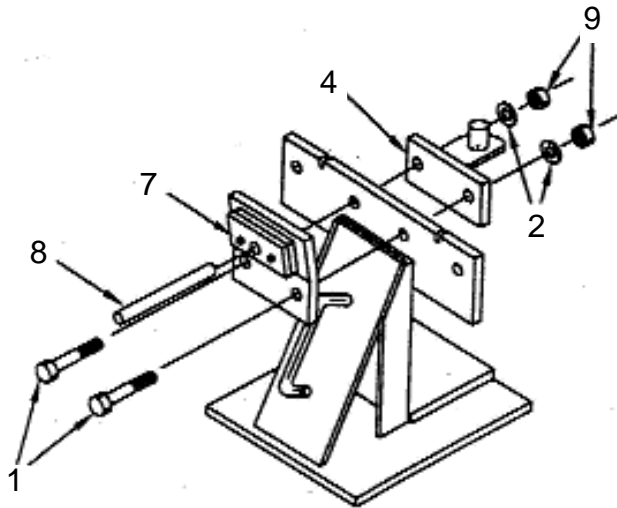
(Rev. 9/98)

- | | |
|---|----------------------------------|
| 1 | Bolt, 1/2-13NC x 3, Gr. 8 |
| 2 | Washer, 1/2 |
| 3 | Washer, 2 1/2 x 13/16 ID x 1/8 |
| 4 | Mercedes Uni. Adapter Base |
| 5 | Spacer, 1/8 |
| 6 | Spacer, 1/4 |
| 7 | Mercedes Pin Plate Adapter Ass'y |
| 8 | Outer Support Pin |
| 9 | Nut, 1/2-13NC, Gr. 8 |
- (refer to part numbers — page 1)

Application Instructions:

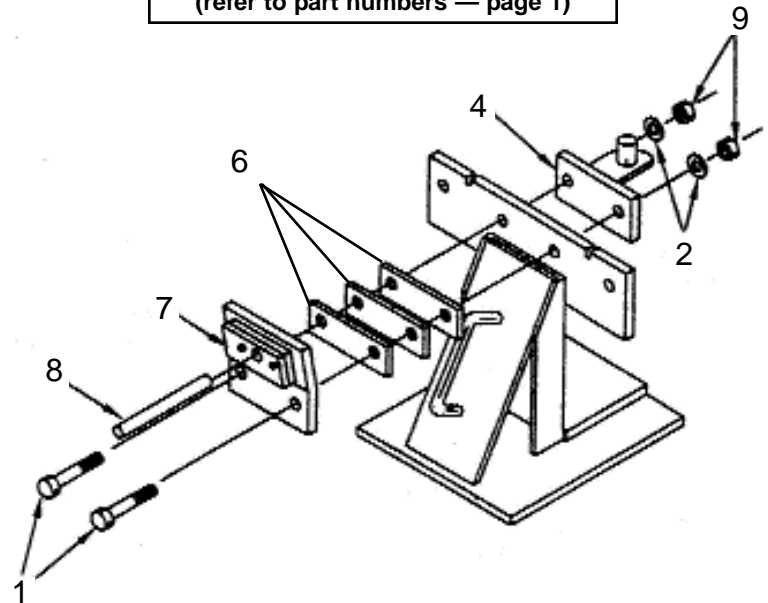
1. Remove conventional clamp jaws.
2. Install pin plate adapter and universal adapter base on opposite sides of clamp.
3. Install five washers (090784) on adapter base as shown.
4. Insert outer support pin into pin plate adapter.
5. Lower vehicle onto universal adapter base while guiding pins into jack holes.

Mercedes Front 170 SLK Series



- | | |
|---|----------------------------------|
| 1 | Bolt, 1/2-13NC x 3, Gr. 8 |
| 2 | Washer, 1/2 |
| 3 | Washer, 2 1/2 x 13/16 ID x 1/8 |
| 4 | Mercedes Uni. Adapter Base |
| 5 | Spacer, 1/8 |
| 6 | Spacer, 1/4 |
| 7 | Mercedes Pin Plate Adapter Ass'y |
| 8 | Outer Support Pin |
| 9 | Nut, 1/2-13NC, Gr. 8 |
- (refer to part numbers — page 1)

(Rev. 6/02)

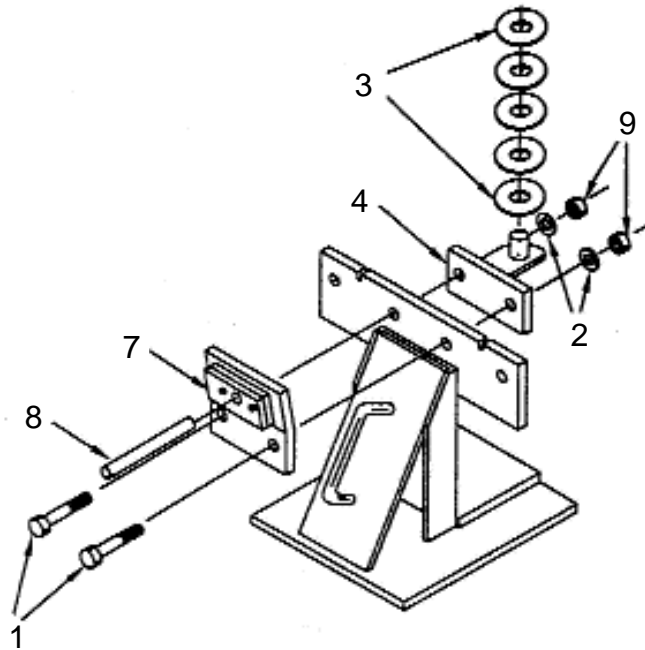


Mercedes Rear 170 SLK Series

Application Instructions:

1. Remove conventional clamp jaws.
2. Install pin plate adapter and universal adapter base on opposite sides of clamp.
IMPORTANT: Rocker panel jack tube hole is 20mm higher in the rear and will require three 1/4 inch spacers between stand and pin plate adapter.
3. Insert outer support pin into pin plate adapter.
4. Lower vehicle onto universal adapter base while guiding pins into jack holes.

Mercedes 202 Series



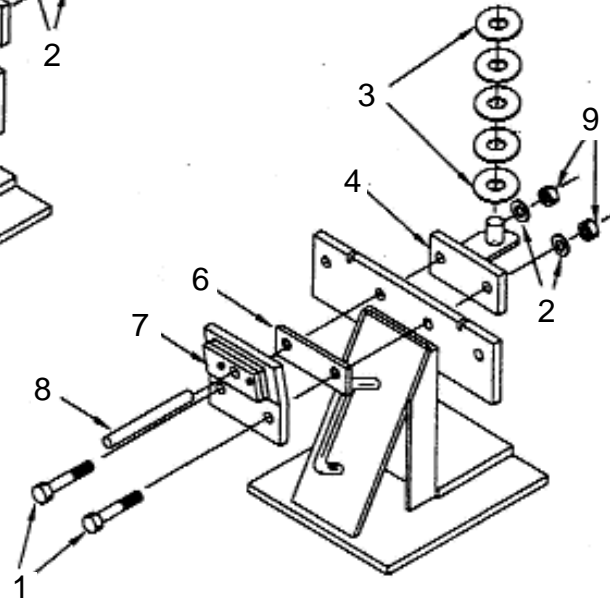
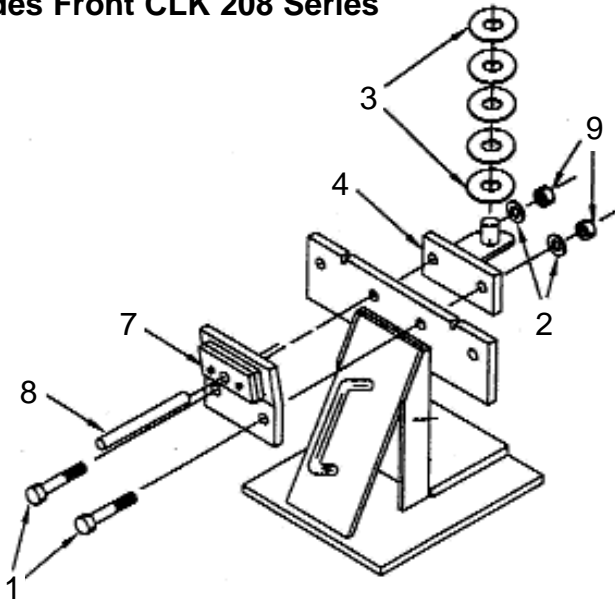
(Rev. 9/98)

- | | |
|---|----------------------------------|
| 1 | Bolt, 1/2-13NC x 3, Gr. 8 |
| 2 | Washer, 1/2 |
| 3 | Washer, 2 1/2 x 13/16 ID x 1/8 |
| 4 | Mercedes Uni. Adapter Base |
| 5 | Spacer, 1/8 |
| 6 | Spacer, 1/4 |
| 7 | Mercedes Pin Plate Adapter Ass'y |
| 8 | Outer Support Pin |
| 9 | Nut, 1/2-13NC, Gr. 8 |
- (refer to part numbers — page 1)

Application Instructions:

1. Remove conventional clamp jaws.
2. Install pin plate adapter and universal adapter base on opposite sides of clamp.
3. Install five washers (090784) on adapter base as shown.
4. Insert outer support pin into pin plate adapter.
5. Lower vehicle onto universal adapter base while guiding pins into jack holes.

Mercedes Front CLK 208 Series



- 1 Bolt, 1/2-13NC x 3, Gr. 8
 - 2 Washer, 1/2
 - 3 Washer, 2 1/2 x 13/16 ID x 1/8
 - 4 Mercedes Uni. Adapter Base
 - 5 Spacer, 1/8
 - 6 Spacer, 1/4
 - 7 Mercedes Pin Plate Adapter Ass'y
 - 8 Outer Support Pin
 - 9 Nut, 1/2-13NC, Gr. 8
- (refer to part numbers — page 1)

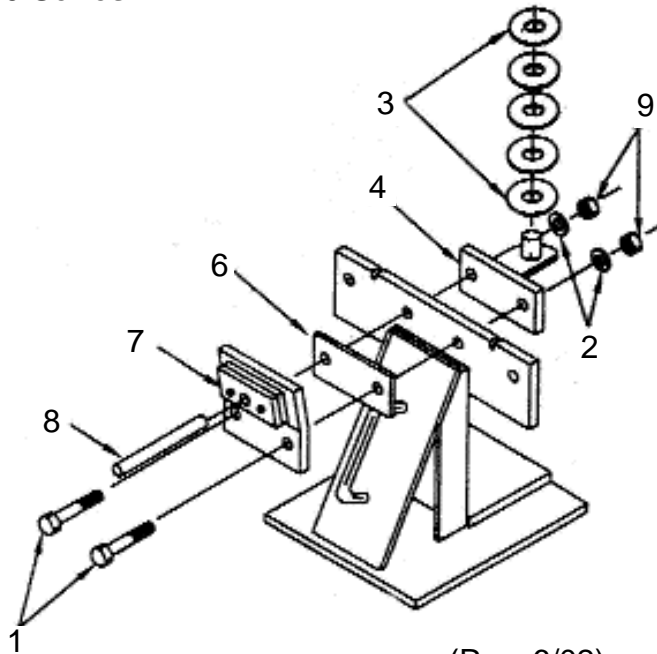
(Rev. 9/98)

Mercedes Rear CLK 208 Series

Application Instructions:

1. Remove conventional clamp jaws.
2. Install pin plate adapter and universal adapter base on opposite sides of clamp.
IMPORTANT: Insert 1/4 inch spacer between pin plate adapter and rear stand.
3. Install five washers (090784) on adapter base as shown.
4. Insert outer support pin into pin plate adapter.
5. Lower vehicle onto universal adapter base while guiding pins into jack holes.

Mercedes 210 Series



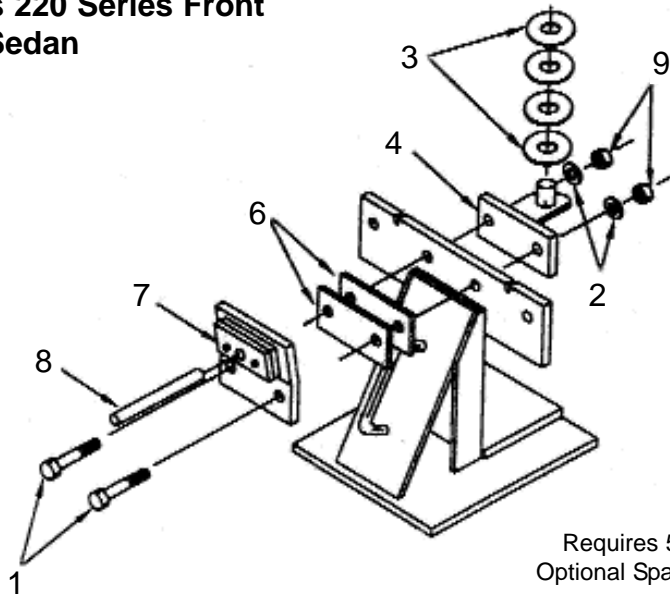
(Rev. 6/02)

- | | |
|---|----------------------------------|
| 1 | Bolt, 1/2-13NC x 3, Gr. 8 |
| 2 | Washer, 1/2 |
| 3 | Washer, 2 1/2 x 13/16 ID x 1/8 |
| 4 | Mercedes Uni. Adapter Base |
| 5 | Spacer, 1/8 |
| 6 | Spacer, 1/4 |
| 7 | Mercedes Pin Plate Adapter Ass'y |
| 8 | Outer Support Pin |
| 9 | Nut, 1/2-13NC, Gr. 8 |
- (refer to part numbers — page 1)

Application Instructions:

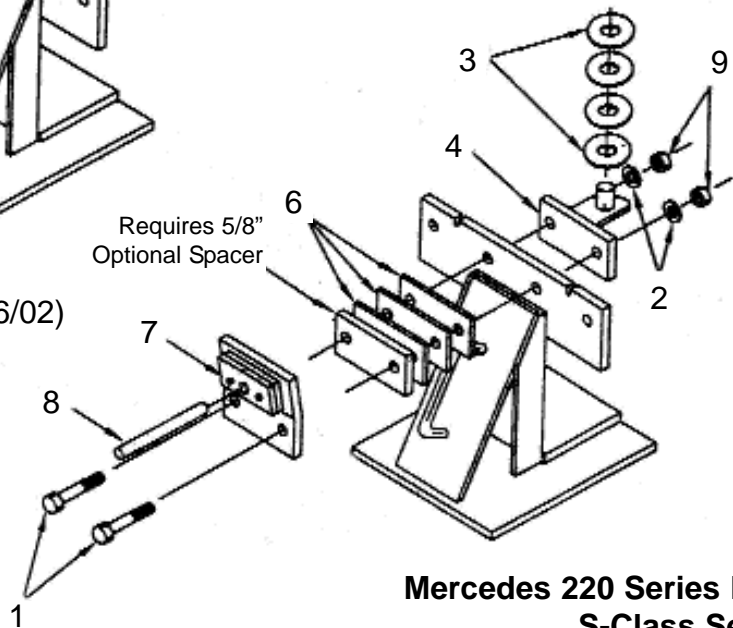
1. Remove conventional clamp jaws.
2. Install pin plate adapter and universal adapter base on opposite sides of clamp.
IMPORTANT: Insert 1/4 inch spacer between pin plate adapter and stand.
3. Install five washers (090784) on adapter base as shown.
4. Insert outer support pin into pin plate adapter.
5. Lower vehicle onto universal adapter base while guiding pins into jack holes.

**Mercedes 220 Series Front
 S-Class Sedan**



- | | |
|----------------------------------|----------------------------------|
| 1 | Bolt, 1/2-13NC x 3, Gr. 8 |
| 2 | Washer, 1/2 |
| 3 | Washer, 2 1/2 x 13/16 ID x 1/8 |
| 4 | Mercedes Uni. Adapter Base |
| 5 | Spacer, 1/8 |
| 6 | Spacer, 1/4 |
| 7 | Mercedes Pin Plate Adapter Ass'y |
| 8 | Outer Support Pin |
| 9 | Nut, 1/2-13NC, Gr. 8 |
| (refer to part numbers — page 1) | |

(Rev.6/02)



**Mercedes 220 Series Rear
 S-Class Sedan**

Application Instructions:

1. Remove conventional clamp jaws.
2. Install pin plate adapter and universal adapter base on opposite sides of clamp.
IMPORTANT: Insert correct number of 1/4 inch spacers as shown. The front stand requires two 1/4" spacers and the rear stand requires three 1/4" spacers plus a 5/8 inch optional spacer.
3. Install four washers (090784) on adapter base as shown.
4. Insert outer support pin into pin plate adapter.
5. Lower vehicle onto universal adapter base while guiding pins into jack holes.



**P.O. Box 1368
Grand Island, Nebraska 68802-1368
Phone 308-384-9747
Fax 308-384-8966**

www.chiefautomotive.com

**Chief reserves the right to alter product specifications
and/or package components without notice.**