

impulse-Tilt

PARTS MANUAL



CHIEF'S LIMITED ONE-YEAR
WARRANTY & LIABILITY

Chief Automotive Technologies warrants for one year from the date of installation and/or purchase any of its products which do not perform satisfactorily due to defect caused by faulty material or workmanship. Chief's obligation under this warranty is limited to the repair or replacement of products which are defective and which have not been misused, carelessly handled, or defaced by repairs made or attempted by others.

CHIEF AUTOMOTIVE TECHNOLOGIES DOES NOT ASSUME RESPONSIBILITY FOR ANY DEATH, INJURY OR PROPERTY DAMAGE RESULTING FROM THE OPERATOR'S NEGLIGENCE OR MISUSE OF THIS PRODUCT OR ITS ATTACHMENTS. CHIEF MAKES NO WRITTEN, EXPRESS OR IMPLIED WARRANTY WHATSOEVER OF MERCHANTABILITY OR FITNESS FOR A PARTICULAR PURPOSE OR OTHERWISE REGARDING THE EQUIPMENT OR ANY PART OF THE PRODUCT OTHER THAN THE LIMITED ONE-YEAR WARRANTY STATED ABOVE.

Parts Information

To order replacement parts for the Chief *impulse-Tilt* System, contact an authorized representative of Chief Automotive Technologies, 1-308-384-9747.

When contacting Chief Automotive Technologies by telephone or mail, provide the following information: name, name of business, business telephone number, and business address. Additional information needed when ordering: description of parts and part numbers, machine model number and machine serial number.

NOTE: Chief reserves the right to alter parts specifications and/or package components without notice.

⚠ CAUTION: Always use Chief Automotive Technologies authorized replacement parts with *impulse-Tilt* Systems. When replacing any part, make certain the part meets the original equipment requirements.

Hydraulic Hoses

The 3/8" I.D., two wire hydraulic hoses furnished with this product meet the requirements of SAE 100R2AT. They should not be used with any other system having higher than 10,000 psi output. All hydraulic components must be replaced with Chief Automotive Technologies authorized replacement parts.

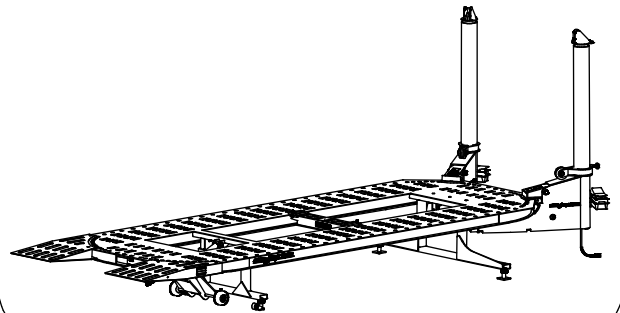
Pneumatic Hoses

The pneumatic components with this product meet the specified requirements and have a working pressure at or above 150 psi. They should not be used with any other system having a higher psi output. All pneumatic components must be replaced with Chief Automotive Technologies authorized parts.

Bolts and Fasteners

All bolts and fasteners must be replaced with Chief Automotive Technologies authorized replacement parts and must not be less than Grade 5 (Class 8.8). Any bolt used in a pulling clamp that is frequently tightened must be a Grade 8 (Class 10.9). All bolt lengths and diameters must be equal to those installed at the factory.

Chief *impulse-Tilt*



Chain

The tower 1/2 inch chains furnished with this product are a special alloy frame straightening chain designed exclusively for Chief Automotive Technologies to meet the rigid requirements of the collision repair industry. If replacement is required, purchase only the original Chief product from an authorized Chief Automotive Technologies representative.

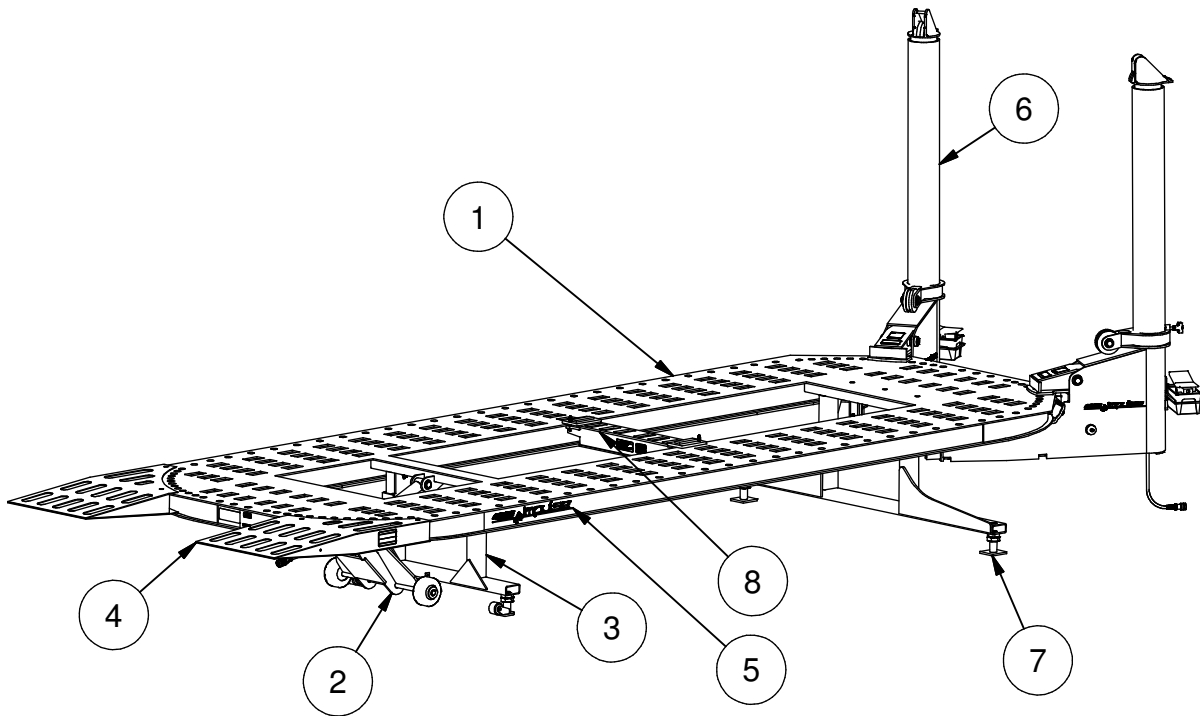
The auxiliary 3/8 inch chains available for this product are a special alloy frame straightening chain designed exclusively for Chief Automotive Technologies to meet the rigid requirements of the collision repair industry. If replacement is required, purchase only the original Chief product from an authorized Chief Automotive Technologies representative.

⚠ CAUTION: DO NOT use 3/8 inch chain on any towers.

Labels

Replacement SAFETY and WARNING labels are available in several languages and may be ordered by contacting an authorized Chief Automotive Technologies representative.

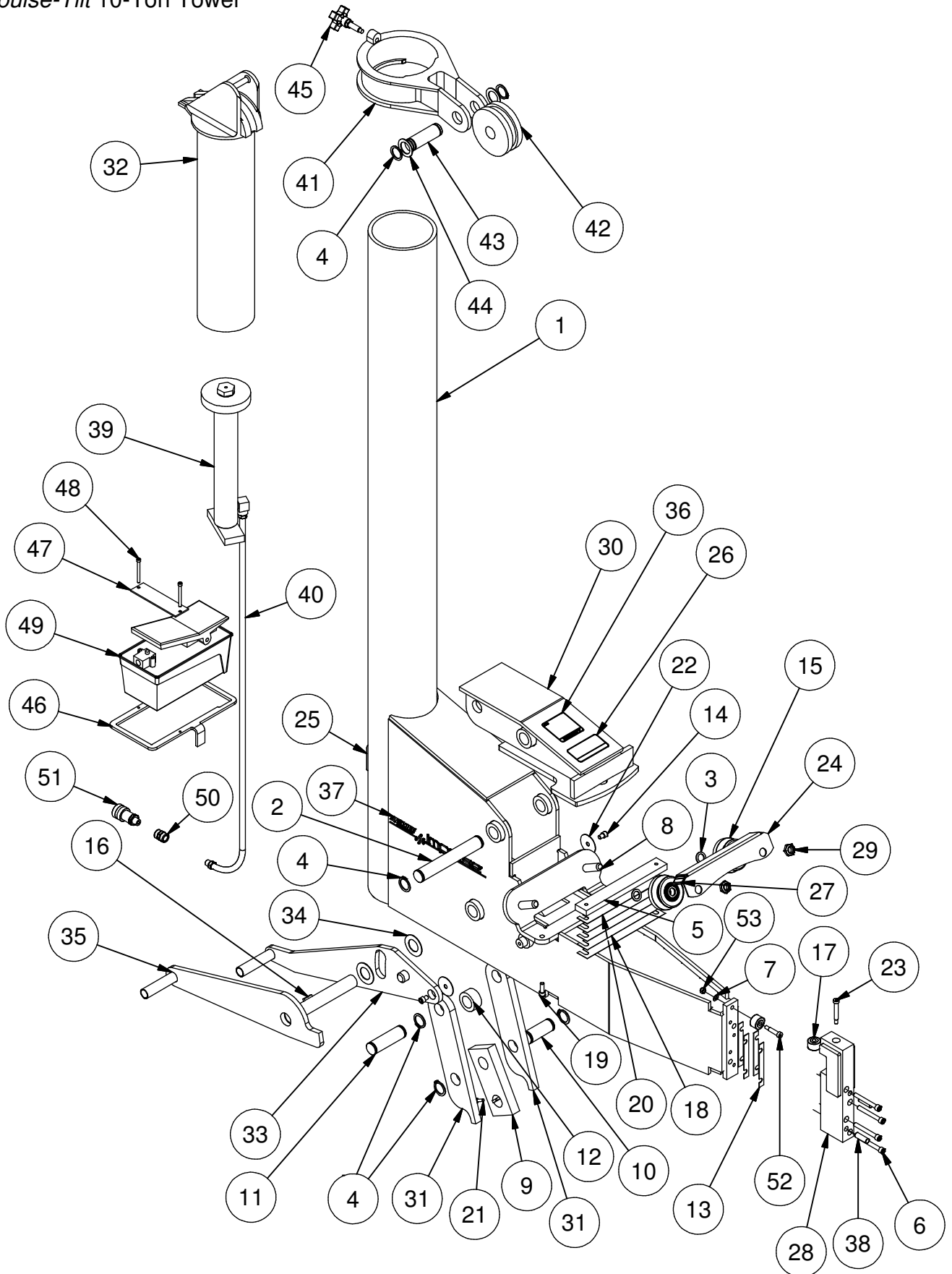
impulse-Tilt Deck Assembly



450010 Impulse 18' Series 20 w/10-Ton Towers
450035 Impulse 20' Series 20 w/10-Ton Towers

Parts List		
ITEM	P/N	DESCRIPTION
1	450030	Bed, Welded Assembly, 18'
	450503	Bed, Welded Assembly, 20'
2	450139	LIFT ASSEMBLY, COMPLETE
3	450005	RETRACT LEG ASSEMBLY
4	450350	Ramp Complete, Long, (Single)
5	450045	Decal, Mainframe, Impulse
6	450505	Assembly, 360-10 Ton Tower
7	450027	Front Leg Adjustment Screw Assy
8	450003	Impulse Moveable Crossmember Narrow
	450530	Impulse Moveable Crossmember Wide

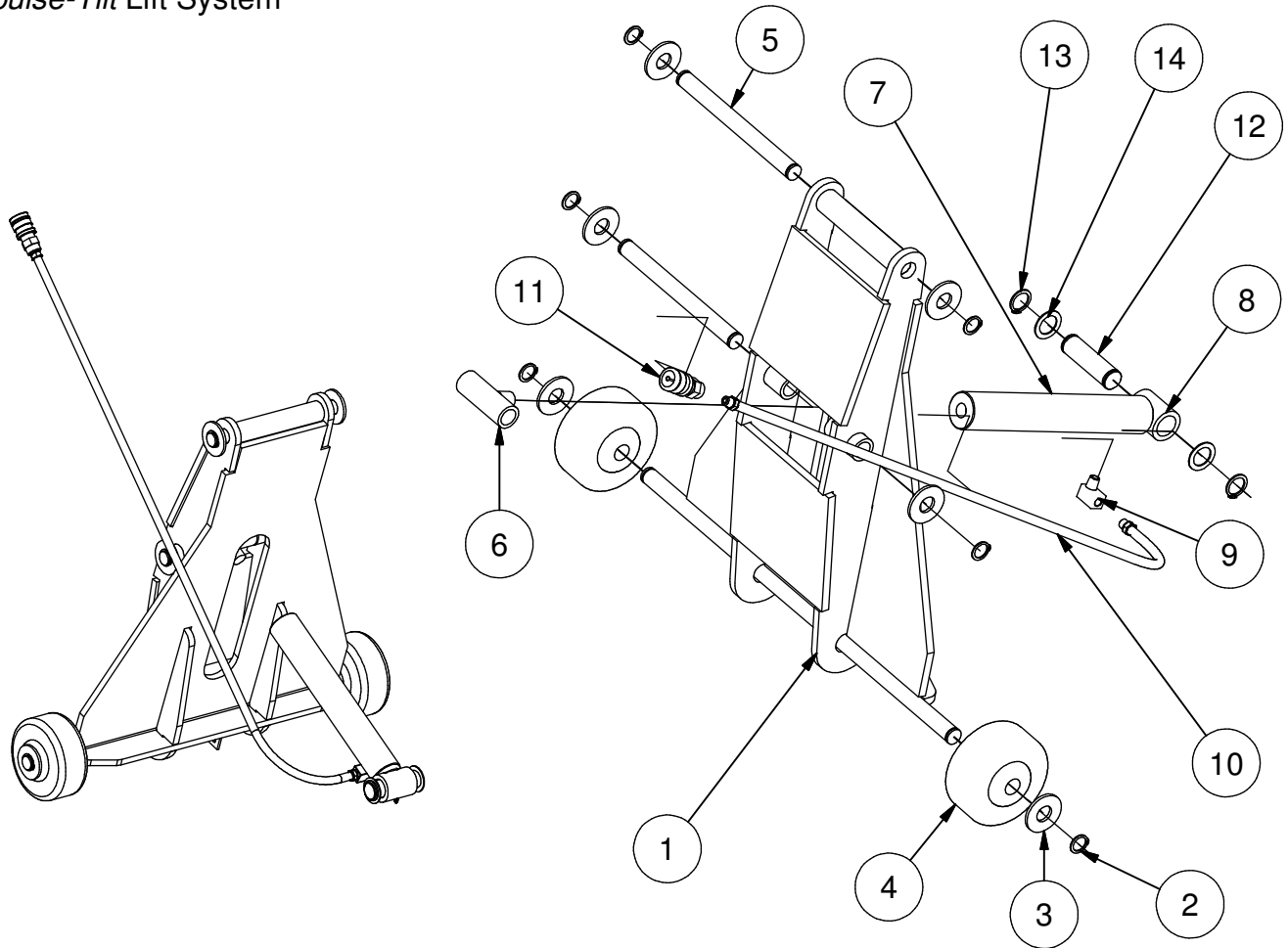
impulse-Tilt 10-Ton Tower



impulse-Tilt 10-Ton Tower

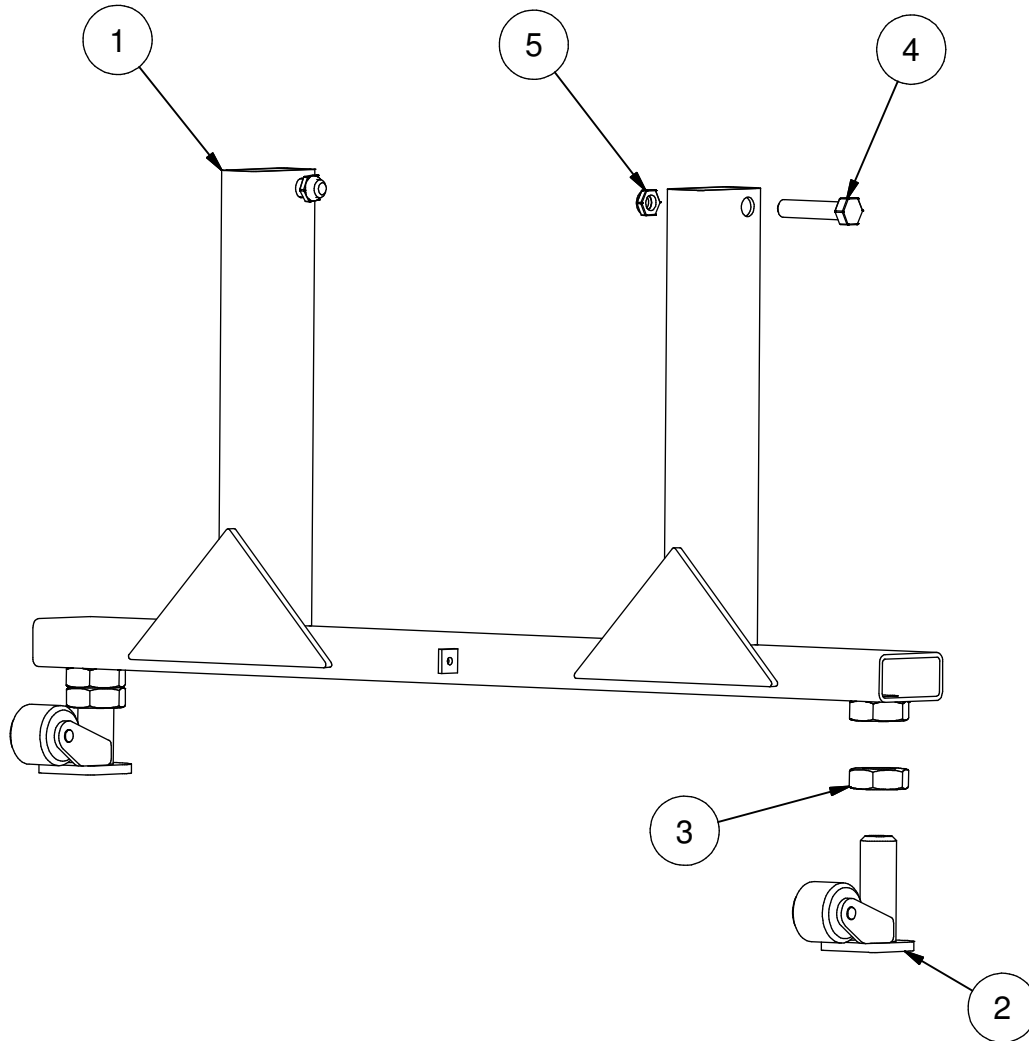
Parts List		
ITEM	P/N	DESCRIPTION
1	450475	Weldment, Short 360-10 Ton Tower
2	687102	Pin, 360-10 Ton Tower Linkage Long
3	305063	Washer, 3/4"ID x 1 1/8 OD x .093" Thick Shim
4	693468	Snap Ring, HD for 1 1/4" shaft
5	687101	Spacer, 360-10 Ton Tower Outrigger
6	450236	SCREW, 3/8-16NC X 3" SHCS
7	450284	WASHER, FLAT 5/16" TRIMMED
8	629773	Bolt, 3/4-10 NC x 2 3/4" Long
9	450279	Bar, Tower Linkage Driver
10	687104	Pin, 360-10 Ton Tower Linkage Short
11	687103	Pin, 360-10 Ton Tower Linkage Medium
12	450234	Spacer, Tower Force Clamp
13	450238	Shim, 360 Tower - 16 ga.
14	450243	Screw, 3/8-16 Socket Head Cap
15	450235	Assembly, Tower Outside Wheel
16	450244	Key, 1/4 x 1/4 x 1"
17	450146	Roller, Inside Tower
18	687107	Shim, 360-10 Ton Tower Outrigger .0164"
19	450195	Screw, 3/8-16NC x 1.00" Socket Head Cap
20	687106	Shim, 360-10 Ton Tower Outrigger .0598"
21	630635	Bolt, 1/4-20 x 1 Hex
22	450241	Washer, 2" OD x 13/32" ID x .047" Thick
23	450227	Bolt, 3/8" x 2" Shoulder - 5/16-18 Thread
24	638321	Guard, Fuzion Tower, Outside Roller
25	693337	Label, Warning, Do Not Position Yourself
26	692091	Label, Warning, Force Clamp, Impulse
27	692093	Label, Caution, Pinch-Point, Impulse
28	450014	HOOK, 360 TOWER
29	770016	NUT, 3/4-10NC LOCK JAM GR5 PL
30	687125	Weldment, 360-10 Ton Sure Lock
31	687105	Bar, 360-10 Ton Tower Float Linkage
32	610001	Tower Head, 1/2" Chain 10-Ton
33	687137	Weldment, 360-10 Ton Sure Lock Release
34	305030	Washer, Thrust-1.25"IDx2.25"ODx.0625"
35	687143	Weldment, Wide Sure Lock Shaft
36	692096	LABEL, CAUTION CROSSMEMBER POSITION
37	450245	DECAL, IMPULSE TOWER
38	450259	Dowel Pin, .5001 - .5003 Dia. x 1.5"
39	772162	Assembly, 10-ton Tower Ram
40	602520	Hose, 59" x 3/8 NPT
41	607161	Machined Collar, S21
42	601201	Roller, 5" x 1/2" Chain - S21/POSI TRAK Collar
43	680747	Pin, Grooved for Cast Collar
44	707487	Washer, Flat - 1.25"IDx1.875"ODx14GA-plated
45	602829	Assembly, Tower Collar Locking Knob
46	450263	Ring, Foot Pump Storage
47	450264	Strap, Foot Pump Storage
48	011063	Screw, 1/4-20 X 2.75 Socket Head Cap
49	090507	Pump Hyd. OTC Y13, Metal Res. Footpump
50	090247	Coupling, 3/8 NPT
51	604939	QUICK COUPLER,FEMALE,WITH MALE THREAD
52	450283	Bolt, 3/8" x 1.25" SHOULDER, 5/16-18THD
53	450282	LOCK NUT, 5/16-18THD NYLON LOCK INSERT

impulse-Tilt Lift System



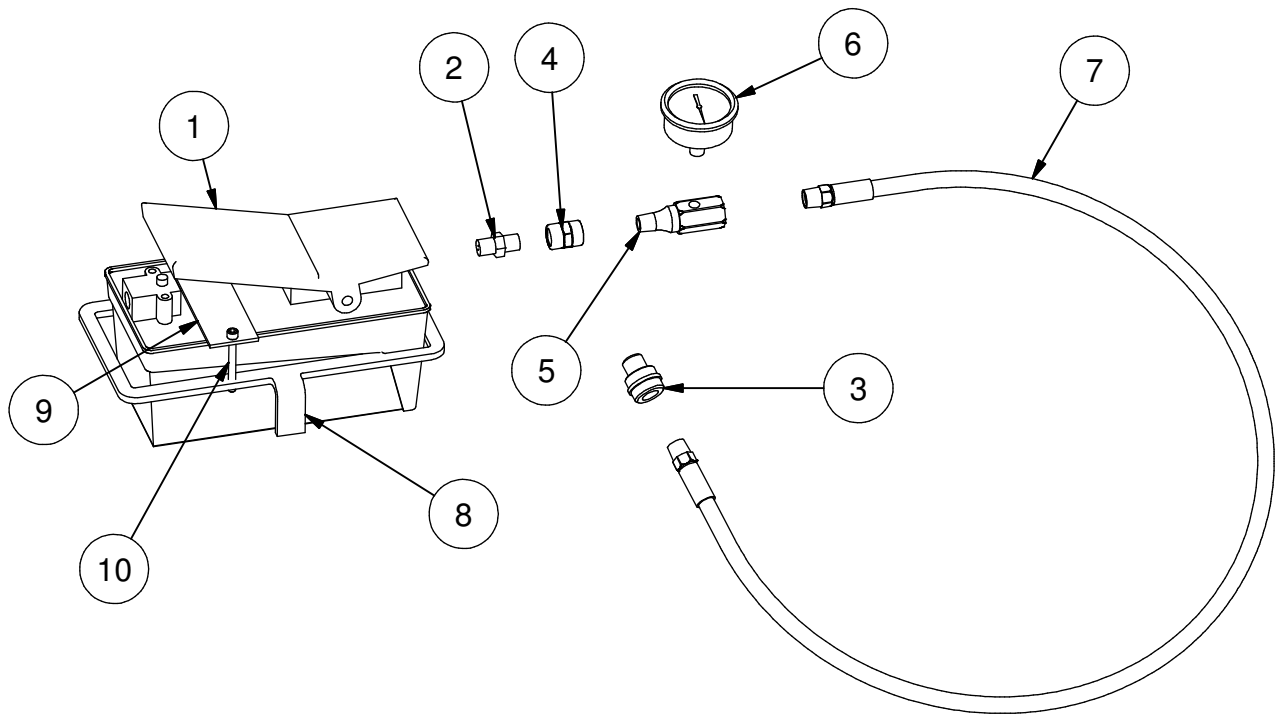
Parts List		
ITEM	P/N	DESCRIPTION
1	450138	LIFT ASSEMBLY, WELDED
2	770105	HD Retaining Ring
3	019010	WASHER WROUGHT 1" ZP
4	092094	Wheel, 6", Posi Trak Lift
5	450127	Pin, Grooved, 1" Dia. x 11.38" Lg
6	450129	Weldment, Lift Cylinder Pivot, Bottom
7	602378	Ram, Tower, (10" Stroke), 10 Ton
8	610124	Jack "T" Assembly
9	649281	ELBOW, 90, FEM. X M. NPTF W/ORIFICE
10	685100	Hose, 49 x 3/8 NPT Couplings
11	604940	QUICK COUPLER, FEMALE, WITH FEMALE THR
12	770083	Pin, 17 foot Cylinder Retainer
13	693468	Snap Ring, HD for 1 1/4" shaft
14	707487	Washer, Flat - 1.25" ID x 1.875" OD x 14GA-plated

impulse-Tilt Retractable Leg Assembly



Parts List		
ITEM	P/N	DESCRIPTION
1	450006	RETRACT LEG, WELDED ASSEMBLY
2	450018	Stiff Leg Adjustment Screw Assembly
3	629095	Nut, 1 1/2 - 6 NC Grade 2 Jam
4	770015	BOLT, 3/4-10NC X 3-1/2 GR8 PL
5	770016	NUT, 3/4-10NC LOCK JAM GR5 PL

impulse-Tilt Air Over Hydraulic Foot Pump



Parts List		
ITEM	P/N	DESCRIPTION
1	090507	Pump Hyd. OTC Y13, Metal Res. Footpump
2	602551	RESTRICTOR ORIFICE
3	602407	Quick Coupler, Male End
4	090247	Coupling, 3/8 NPT
5	091804	Hydraulic T Adapter
6	091803	Pressure Guage
7	090023	Hose, 120" x 3/8" NPT
8	450263	Ring, Foot Pump Storage
9	450264	Strap, Foot Pump Storage
10	011062	Screw, 1/4-20 X 2.5 Socket Head Cap



P.O. Box 1368
Grand Island, Nebraska 68802-1368
Phone: 308/384-9747
Fax: 308/384-8966

www.chiefautomotive.com

Chief reserves the right to alter product specifications
and/or package components without notice.